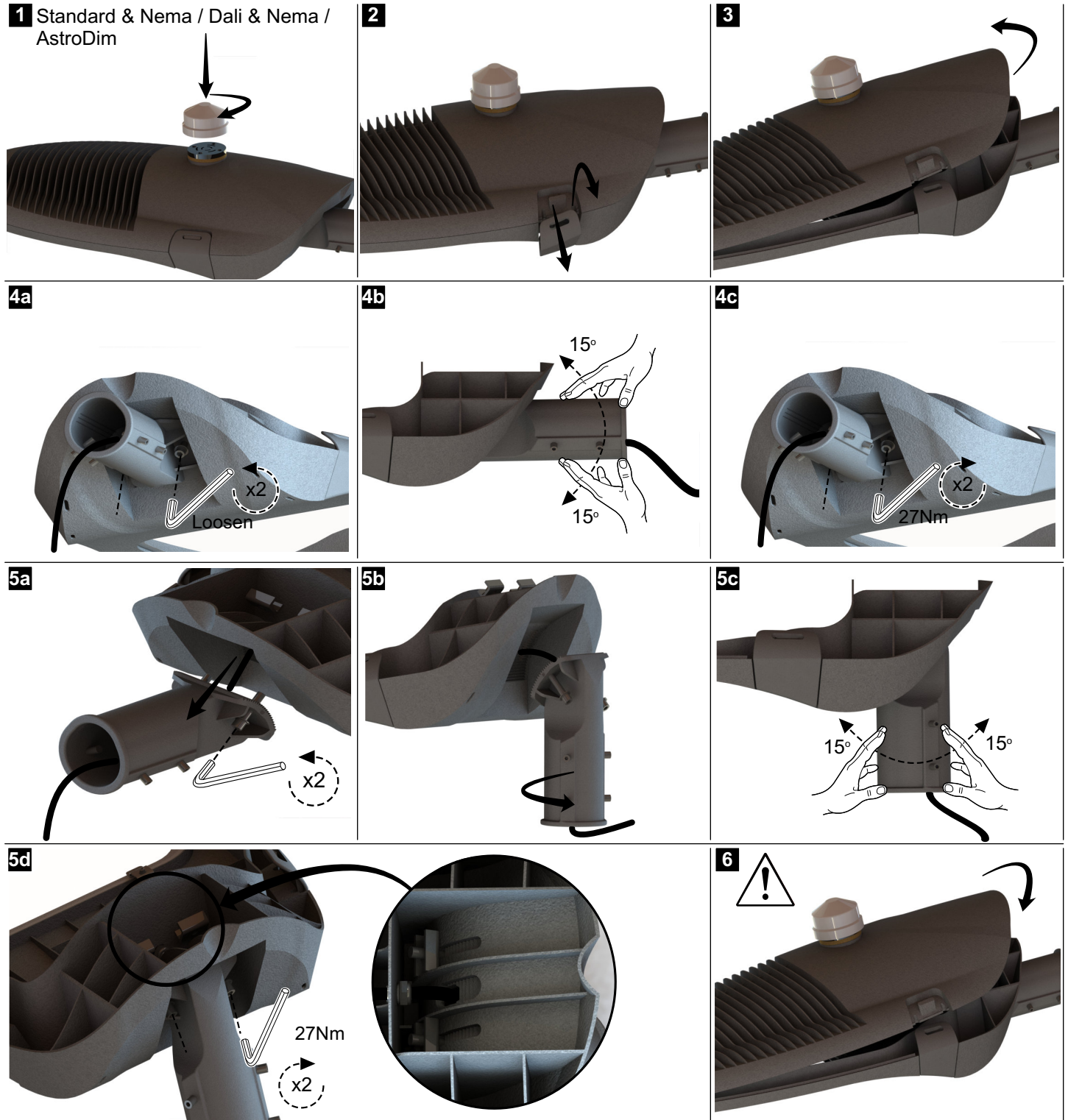
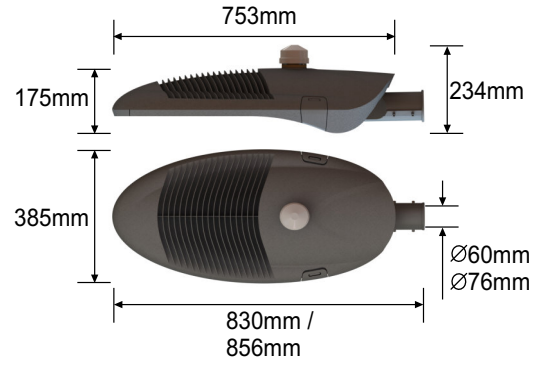
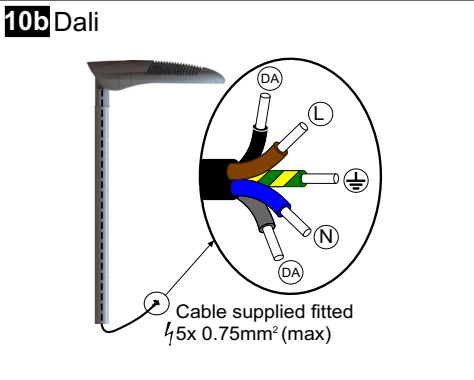
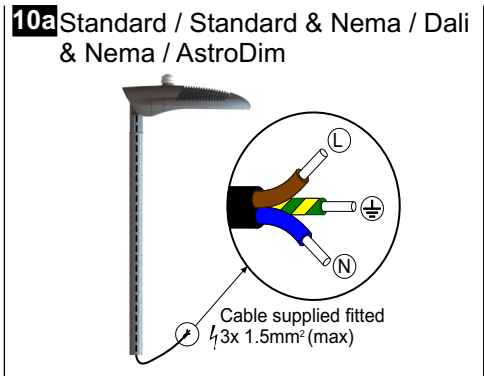
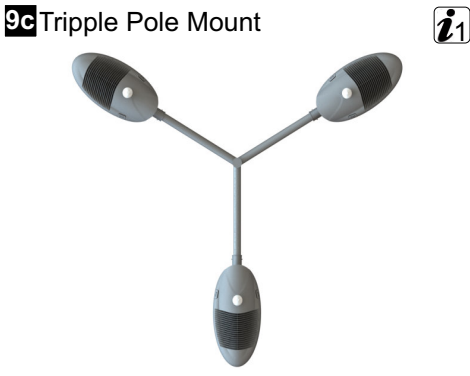
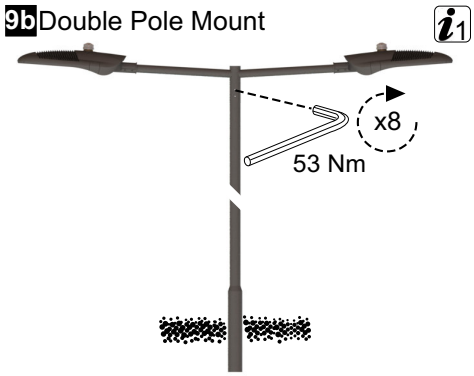
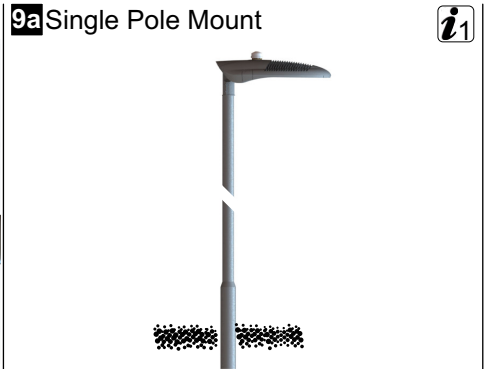
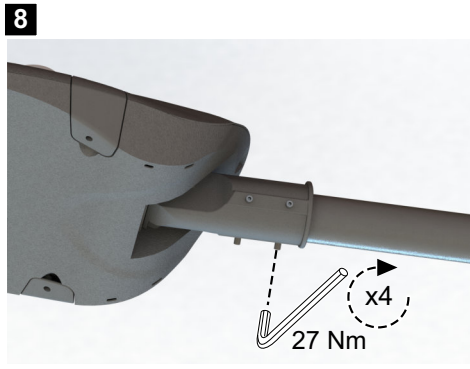
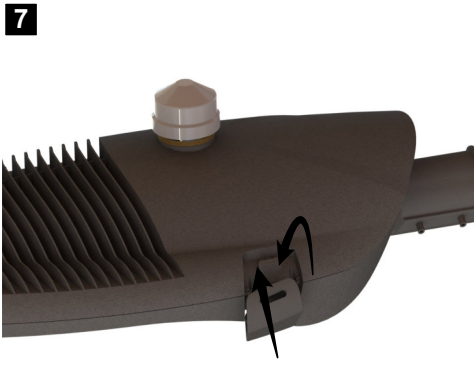





Prout Range	Power (W)	Standard Kg	Standard & Nema Kg	Dali Kg	Dali & Nema Kg	AstroDim Kg	Windage - Surface (m ²)
CQ80	80	14	14.25	14	14.25	14.25	0.29
CQ100	100	14	14.25	14	14.25	14.25	0.29
CQ120	120	14	14.25	14	14.25	14.25	0.29
CQ130	130	14	14.25	14	14.25	14.25	0.29






-  Maximum Mounting Height 12m.
-  Ensure no cables are trapped when luminaire is closed.


 **Operation & Maintenance**
Failed light source should be replaced promptly or the circuit switched off to avoid possible damage to control gear.

Important - Safety
Before carrying out any servicing on these luminaires, ensure that the mains supply is fully isolated.

Disconnect the luminaire before insulation testing of the installation.

Circuit Breaker Type	10A (B)	16A(B)	25A(B)
Conquest	4	8	14

 ta -20°C ... 50°C

 The light source contained in this luminaire shall only be replaced by the manufacturer or his service agent or a similar qualified person.



Example: IP junction box / terminal block. If in doubt seek advice from qualified electrician.

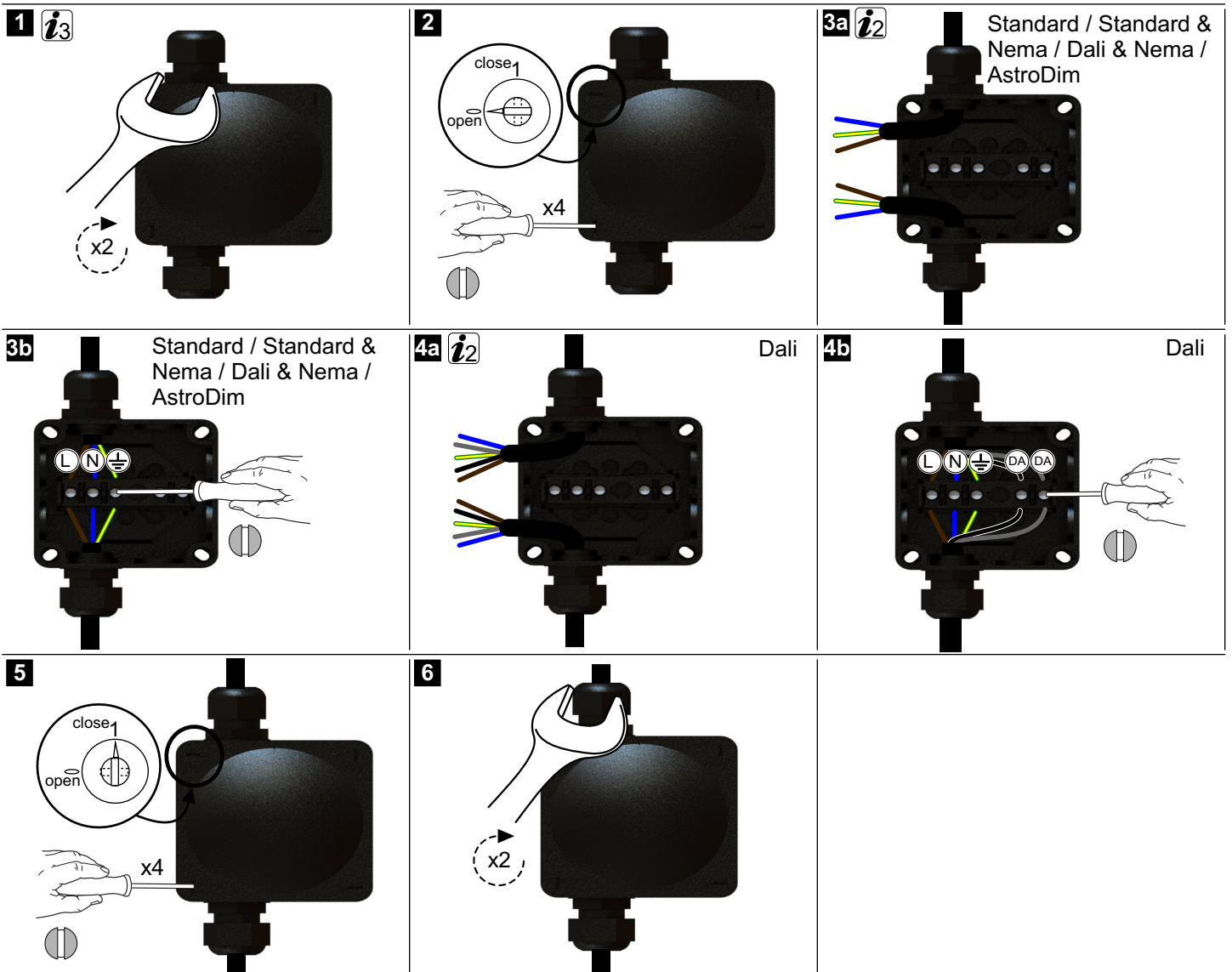
- Mains supply to be fused using a minimum fuse size of 4A
- i2** Preparation of the ends of conductors: Wire ends striped to the length 7mm - 8mm. Add ferrules (for 1.5mm² mini wires) to the wires if they are stranded.
- i3** Terminal block specified:
 - Terminal block specified:
 - The type of terminals: Screw.
 - Number of terminals: 3 (for Standard / Standard & Nema / Dali & Nema / AstroDim) or 5 (For Dali).
 - Rated voltage: 450V
 - Rated connecting capacity: 16A to EN60598 and 24A to EN60998



Example:

Box: WISKA COMBI 308/5/S

Cable Gland x2: WISKA ESKVM20



Example: Terminal block fused cut out. If in doubt seek advice from qualified electrician.

i2 Preparation of the ends of conductors: Wire ends stripped to the length 7mm - 8mm. Add ferrules (for 1.5mm²) to the wires if they are stranded.

i4 Terminal block specified:

- Designed and tested in accordance with BS 7654:1997 and IEC/EN 60947-Part 1
- Detachable terminal block in extension trough facilitates termination of heavy duty cables
- Electroplated brass terminal blocks accept conductors up to 25mm²
- Number of terminals: 3
- The type of terminals: Screw
- Rated voltage: 230V
- Rated connecting capacity: 25A



Example:

Lucy zodion - Titan2

Single and double pole cut outs.

i5 Wago 222 Series Non-Fused Terminal Block, 2 Way specified for dali luminaire only:

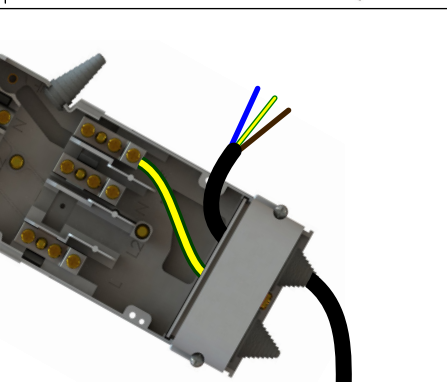
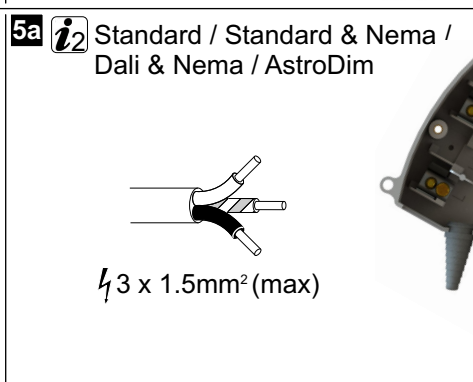
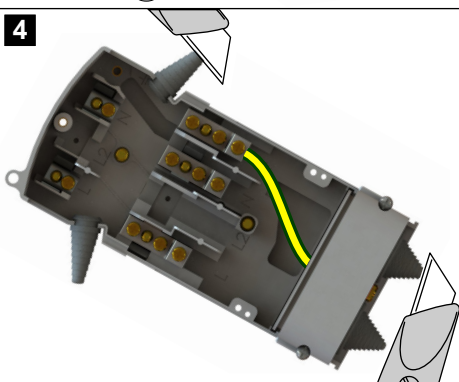
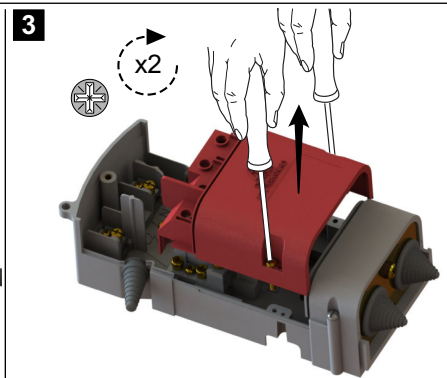
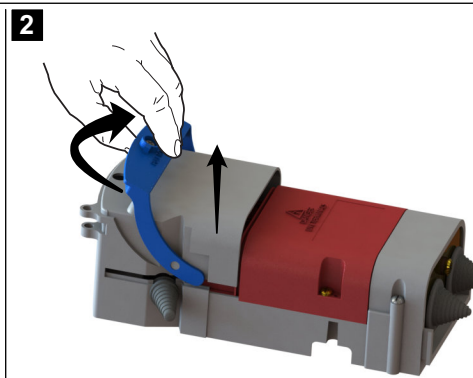
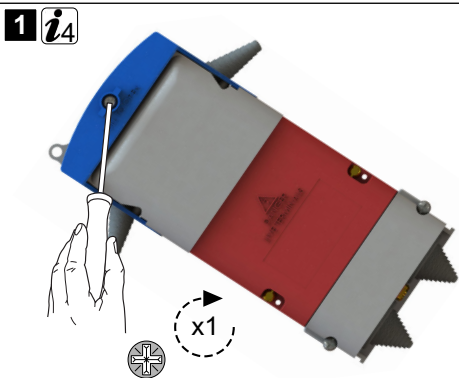
- Number of terminals: 2
- Wire size 28 - 12 AWG
- The type of terminals: Clip
- Rated voltage: 550V
- Rated connecting capacity: 22A



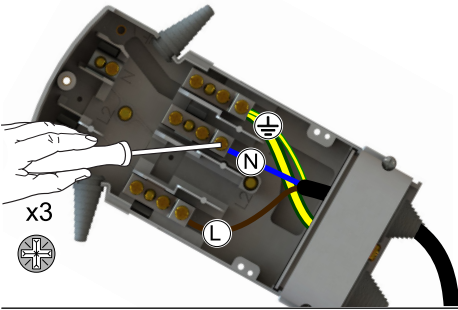
Example:

RS 222-412

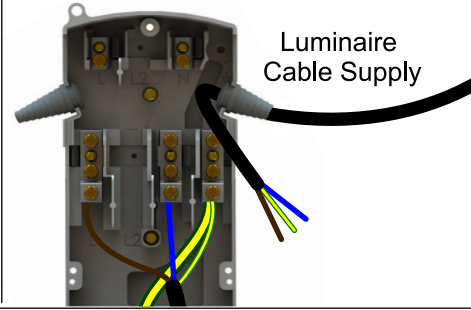
2x Wago 222 Series Non-Fused Terminal Block, 2 Way



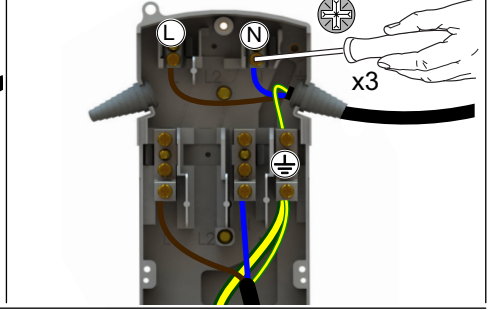
5b Standard / Standard & Nema / Dali & Nema / AstroDim



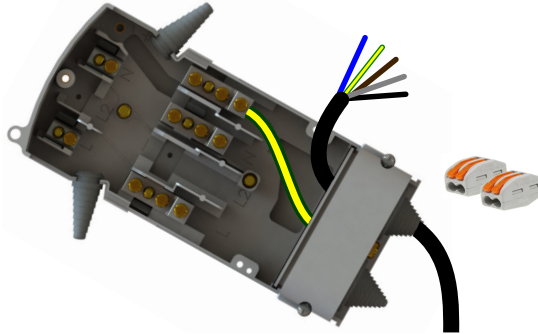
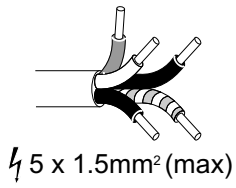
5c Standard / Standard & Nema / Dali & Nema / AstroDim



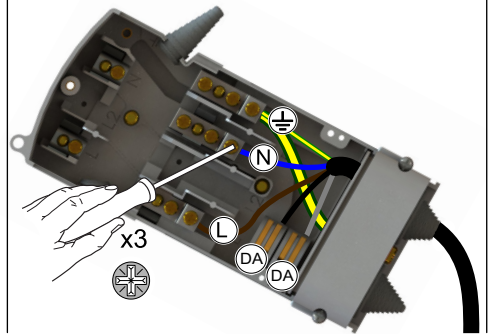
5d Standard / Standard & Nema / Dali & Nema / AstroDim



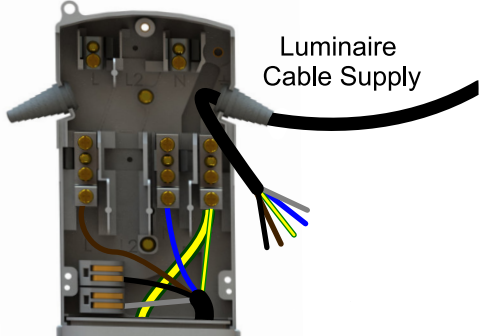
6a **i2** **i5** Dali



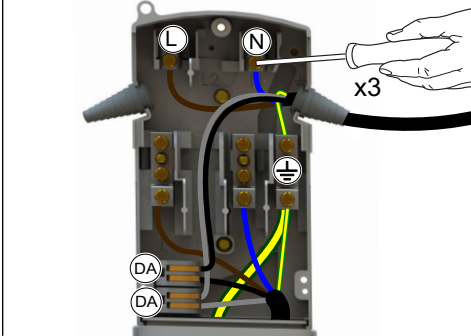
6b Dali



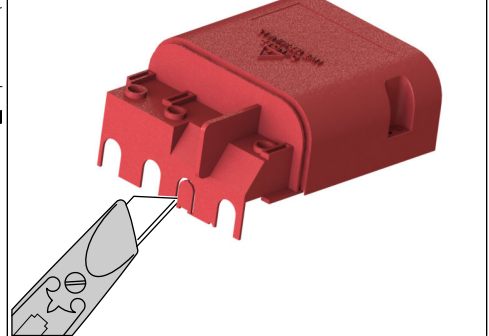
6c Dali



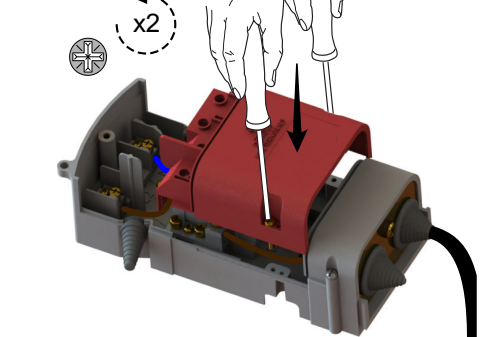
6d Dali



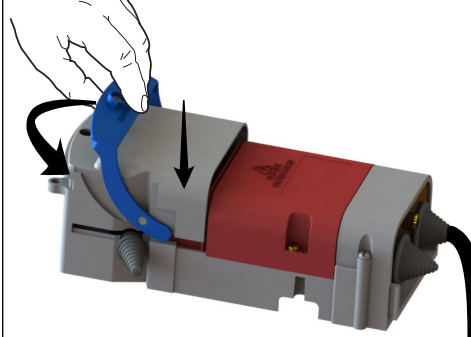
7



8



9



10

