



WARNINGS



PLEASE READ THESE INSTRUCTIONS CAREFULLY BEFORE COMMENCING ANY WORK

- If a fitting is found to be damaged, cease use immediately.
- This is a Class I product and must be earthed
- This unit must be fitted by a competent and qualified electrician.
- Install in accordance with IEE wiring regulations and current Building Regulations.
- To prevent electrocution, switch off mains supply before installing or maintaining this fitting. Ensure other persons cannot restore the electrical supply without your knowledge.
- This light fitting should be connected to a circuit with a 30Ma RCD fitted.
- If replacing an existing fitting, make a careful note of the connections.
- All connections should be made watertight to avoid electrical shortage.
- When changing the bulb, always switch off at the mains & allow to cool before handling.
- Always use the correct type & wattage bulb. Never exceed the wattage stated.
- The unit may get warm whilst on for a period of time.

Voltage: 220 - 240v 50/60Hz

Max. Wattage: 18w

Bulb Holder: ES/E27 (lamp sold separately – LED recommended)

Recommended Bulb: Candle Shape / GLS

Sensor: Photocell (Dusk to Dawn)

IP Rating: IP44

Material: Stainless Steel & Glass

Mounting: 1-2 Persons



✓
**1 YEAR
GUARANTEE**
see website for
more details



CLEANING - CARE OF STAINLESS STEEL:

Contrary to popular belief, Stainless Steel needs looking after, especially in exposed and coastal areas. If not cleaned on a regular basis, the acid that is ever present in the air (and salt in coastal areas), will affect the surface causing pitting and even rust like staining to appear.

To keep your lights looking good, simply wipe clean the outside with a damp cloth and then dry once a month, (more frequently in coastal areas). Specialist stainless steel cleaning products can be used but never use an abrasive cleaner. In extreme conditions it may be advisable to apply a clear lacquer or varnish to protect the surface.

Lumena recommend and stock Kilrock stainless steel cleaner.

WARNING - Ensure all surfaces are completely dry prior to switching on the fitting after cleaning.

1 YEAR GUARANTEE:

In the unlikely event of a fault developing with this product within 1 year of the purchase date, please contact Lumena Lights Ltd, or your supplier, providing proof of purchase and it will be repaired or replaced. Guarantee excludes accidental or malicious damage, general wear and tear, and electrical faults due to misuse or incorrect installation. The body of the fitting should be cleaned appropriately as detailed in the 'Care of Stainless Steel' section. Fittings which are not cared for in this way are not covered by this Guarantee. Usual terms & conditions apply – see website for more details.

RETURNS:

If purchased from a 3rd party, please contact your supplier. If purchased direct, please contact us:

Tel: 01689 606342

Email: sales@exteriorlights.co.uk

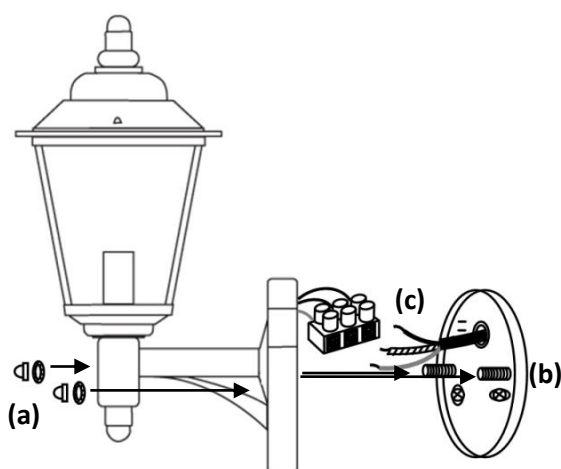
Instructions accurate at time of printing. Check for updates by visiting our website.

Producer Registration Number: WEE/KC3440XY

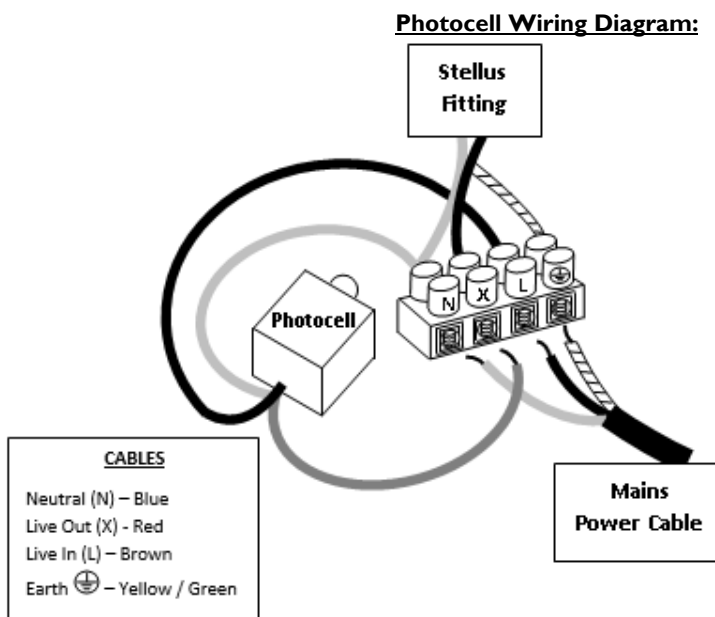
INSTALLATION:

1. Remove the 2x dome nuts and washers (a) from the front stainless steel mounting plate and remove the back mounting plate. **TIP:** the photocell unit is attached to the back mounting plate but wired into the fitting. Therefore an extra person may be required to help hold the fitting during the installation of this product.
2. Hold the wall mount in the desired location and mark the positions of the two mounting screws (and power inlet cable if required) through the appropriate apertures. Note: the holes in the mounting bracket may also need to be drilled prior to marking.
3. Drill out the 2 mounting holes using a 6mm masonry drill bit and insert the supplied wall plugs.
4. Once the power cable has been installed, thread through the rubber grommet of the mounting plate making sure at least 100mm (4 inches) is pulled through.
5. Ensure the 2 hexagonal securing bolts (b) are still inserted through the back of the mounting plate, and then secure the mounting plate in place with the two mounting screws provided. **TIP:** To make sure the hexagonal bolts do not fall out during installation, simply screw on the dome nuts removed in point 1. These can then be removed once the mounting plate has been secured to the wall.
6. Strip back the 3 inner wires of the mains power cable (if not already prepared) and screw into the correct terminals of the 4 way terminal block which is attached to the main body of the fitting (c), ensuring the two brown Live wires (L) are connected to one another, the two blue Neutral wires (N) are connected to one another and the two yellow and green Earth wires ⊕ are connected to one another. Do not remove the pre-wired photocell – See diagram.
7. Once the wiring is complete, replace the main body of the fitting over the hexagonal bolts, ensuring they protrude through the holes of the fitting, and onto the back mounting plate. Secure in place with the 2x washers and dome nuts removed in step 1.

TIP: The rubber seal that fits between the plastic wall mount and the stainless steel front mount can easily become dislodged when installing the light. To prevent this, try spreading a thin film of clear silicone in the groove of the seal and then push over the back plate making sure it is level (ordinary bathroom sealant is fine). Upend the wall plate and weigh down using a brick or other heavy object and leave overnight before installing the next day. The silicone acts as glue holding the seal in place.



Installation guide only. Model may vary slightly.



LAMP INSTALLATION / REPLACEMENT: (Ensure power is turned off prior to changing the lamp)

- A. Unscrew and remove dome nuts from lid of fitting and remove lid.
- B. Place the bulb holder cover over the bulb holder and push down firmly to secure in place over the 2x lugs to the very base of the light (Installation only).
- C. Insert lamp (screw base – E27).
- D. Replace lid and secure with dome nuts removed in step 'A'.