

### Accessories available: 98447, 91864, 91865, 91866

These units must be installed in a vertical position, and fitted up to 1.8-2.5m above the ground.

#### PIR sensor: 98447(white) / 91864(black)

The PIR sensor can be adjusted by turning the 'SENS' and 'TIME' screw using the small screwdriver, allowing the detection distance to be altered to suit the location. The detection angle is set at 120°. The detection range up to max 10 metres (< 24°C). The duration that lamp stays on can also be altered from 10±3 seconds - 7±2 minutes. When adjusting the sensitivity (detection distance) in daylight it will be necessary to cover the sensor to simulate night time.

#### MANUAL OVERRIDE FUNCTION:

- How to activate override mode: When the sensor is in automatic sensor mode and the light is ON, turn OFF-ON-OFF-ON the wall switch within 3 seconds, and the sensor will be in override mode - the light will illuminate continuously.
- How to return to automatic sensor mode: Switch off the wall switch, wait 10 seconds and then switch it back on, then the sensor will be back in automatic sensor mode.

#### MV sensor: 91865(black)

The PIR sensor can be adjusted by turning the 'SENS' and 'TIME' screw using the small screwdriver, allowing the detection distance to be altered to suit the location. The detection angle is set at 120°. The detection range up to max 10 metres. The duration that lamp stays on can also be altered from 10±3 seconds - 7±2 minutes. When adjusting the sensitivity (detection distance) in daylight it will be necessary to cover the sensor to simulate night time.

#### Photocell sensor: 91866(black)

Ambient Light: <10 LUX on, >40LUX off



### Technical data

Supply Voltage: 220-240 V~, 50 Hz

Bulb Type: 91860 / 98443: 10W LED module (SMD), 4000K      91861 / 98444: 20W LED module (SMD), 4000K  
91862 / 98445: 30W LED module (SMD), 4000K      91863 / 98446: 50W LED module (SMD), 4000K

The light source of this luminaire is not replaceable; when the light source reaches its end of life the whole luminaire shall be replaced.



Conformity with all relevant UKCA Directive requirements.



Conformity with all relevant EC Directive requirements.



This is a Class 1 product and must be earthed.



Waste electrical products should not be disposed of with household waste. Please recycle where facilities exist. Check with your Local Authority or local store for recycling advice.



Caution! Risk of electric shock!



This product is rated at IP65.

### Care and Safety

We recommend cleaning with a soft dry cloth. Do not use solvents or abrasive cleaners as these could damage the finish.

For your safety, always switch off the power supply before cleaning.

### Instruction manual

# Salde Floodlight

91860, 91861, 91862, 91863, 98443, 98444, 98445, 98446



Thank you for purchasing this light fitting. Please read the instructions carefully before use to ensure safe and satisfactory operation of this product. Please retain these instructions for future reference.

## Warning

This is a Class 1 product and must be earthed.

Please read these instructions carefully before commencing any work

This unit must be fitted by a competent and qualified electrician.

Install in accordance with the IEE Wiring regulations and current Building Regulations.

Check the pack and make sure you have all the parts listed.

To prevent electrocution switch off at the mains supply before installing or maintaining this fitting. Ensure other persons cannot restore the electrical supply without your knowledge.

This light fitting should be connected to a circuit with a 30mA RCD fitted.

If replacing an existing fitting, make a careful note of the connections.

The entire unit gets hot whilst on for a period of time.

This product is not suitable for location in or near a marine environment.

The external flexible cable or cord of this luminaire cannot be replaced. If the cord is damaged, the luminaire must be destroyed.

This product is supplied with 1 metres of H05RN-F outdoor grade rubber sheathed cable ready for connection to an approved, outdoor rated terminal block which is not supplied and must be obtained.

Waste electrical products should not be disposed of with household waste. Please recycle where facilities exist. Check with your local authority or retailer for recycling advice.

## Layout

Plan the desired layout of these fittings carefully, ensuring the cables will reach the distances between each light fitting.

Avoid locating any cables in positions that would cause a hazard. Position cables and outdoor rated junction boxes (not supplied) away from areas where they may be at risk from being cut, trapped or damaged.

The mains supply cable must have a minimum cross section area of 1.0mm<sup>2</sup>

Cables must be protected using suitable conduit or plastic trunking.

This is a floodlight product, and therefore should be positioned where it will not cause a glare hazard.

## Installation

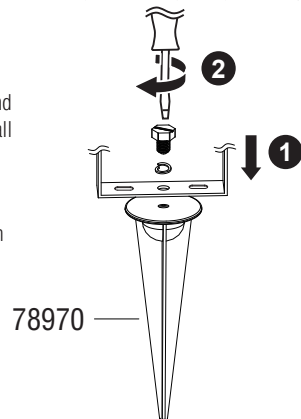
Existing fittings must be completely removed before installation of a new product. Before removing the existing fitting, carefully note the position of each set of wires.

Note that the switch is turned off before installation.

Lights can install on the ground, wall or brackets according to actual situation such as installation on the brackets with hexagonal head screw fixed. And dig the hole on ground or wall with suitable expansion bolt (supplied) fixing according to light's bracket if install on the ground or wall.

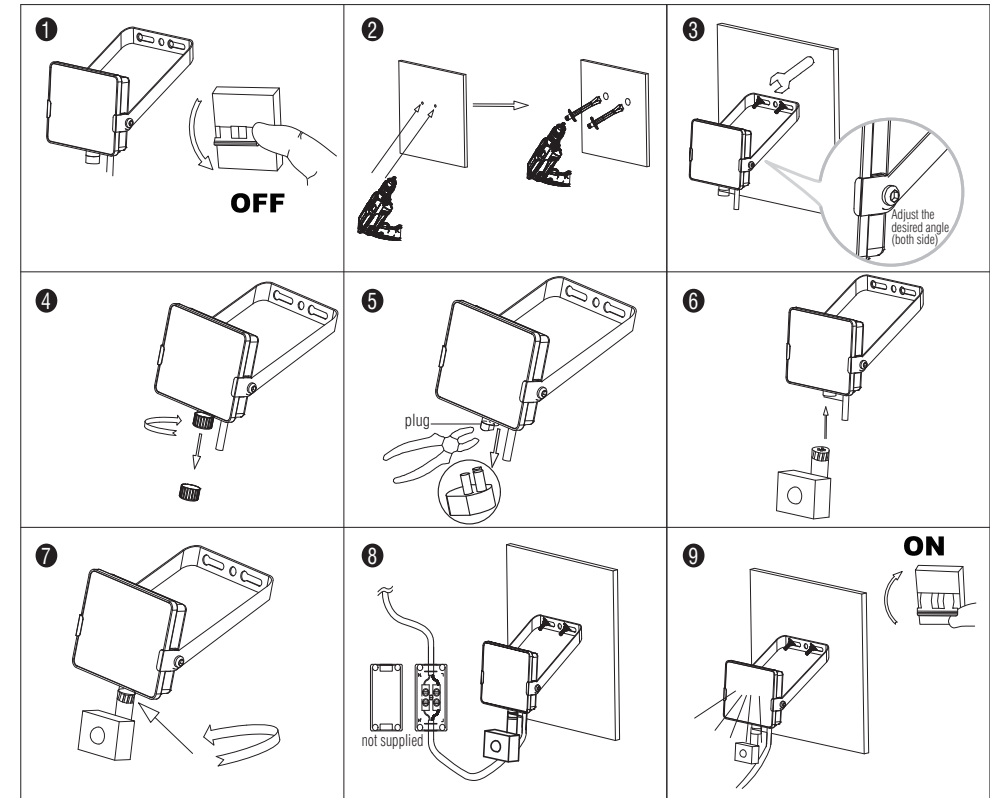
### Installed on the ground

- Hold the product in position and mark the location of the fixing holes. The bracket can be removed from the fitting for ease of installation.
- Use screw fix the bracket to the accessory 78970 (not supplied).
- Mount the product on the bracket and adjust the desired angle.
- Wire as detailed wiring.



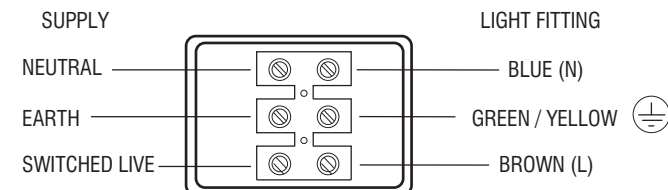
### Installed on the wall

- Hold the product in position and mark the location of the fixing holes. **The bracket can be removed from the fitting for ease of installation.**
- Fix the bracket to the wall using the expansion bolt (not supplied). Take care to avoid damaging any concealed wiring and pipes. The correct fixings should be used for brick or cavity walls
- Using the Allen key (not supplied), loosen the bolts on the both side, and adjust the fitting to the desired angel.
- Remove the cover from the bottom of the light.
- Pull out the plug with pliers from the bottom of the light.
- Install the sensor if needed according to your preferred.
- Wire as detailed wiring.
- Ensure that the cable is not snagged. Re-tighten the bolts.
- Turn on your power switch. your light is ready for use



## Wiring

Having correctly identified the wiring from your existing light fitting, pull the mains wire through the hole and connect to an approved outdoor rated terminal block(not supplied) in the following way:



### Check that...

You have correctly identified the wires.  
The connections are tight.  
No loose strands have been left out of the connection block.