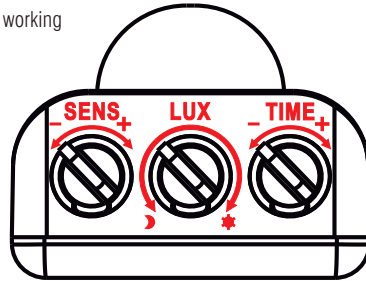


PIR MINI

95284

PIR Adjustment

- Turn the SENS knob clockwise on the maximum (+). Turn the LUX knob clockwise on the maximum (sun). Turn the TIME knob anti-clockwise on the minimum (-).
- Switch on the power, the sensor and its connected lamp will have no signal at the beginning. After Warm-up 30sec, the sensor can start work. If the sensor receives the induction signal, the lamp will turn on. While there is no another induction signal any more, the load should stop working within $10\text{sec} \pm 3\text{sec}$ and the lamp would turn off.
- Turn LUX knob anti-clockwise on the minimum (moon). If the ambient light is more than 10LUX, the sensor would not work and the lamp stop working too. If the ambient light is less than 10LUX (darkness), the sensor would work. Under no induction signal condition, the sensor should stop working within $10\text{sec} \pm 3\text{sec}$.



Note: when testing in daylight, please turn LUX knob to ☀ (SUN) position, otherwise the sensor lamp could not work!

If the lamp is more than 60W, the distance between lamp and sensor should be 60cm at least.

Technical data

Supply Voltage: 240V~

Power Frequency: 50Hz

Ambient Light: < 10-2000LUX (adjustable)

Time Delay: Min. $10\text{sec} \pm 3\text{sec}$

Max. $7\text{min} \pm 2\text{min}$

Rated Load: Max. 100W ☀

100W ⚡

Detection Range: $120^\circ / 360^\circ$

Detection Distance: 2-10m (<24°C)(adjustable)

Working Temperature: $-20 \sim +40^\circ\text{C}$

Working Humidity: <93%RH

Installation Height: Wall mount 1.8-2.5m / Ceiling mount 2.2-4m

Detection Moving Speed: 0.6-1.5m/s



Conformity with all relevant CE Directive requirements.



The power supply is Double Insulated and does not require connection to an Earth circuit.



Waste electrical products should not be disposed of with household waste. Please recycle where facilities exist. Check with your Local Authority or local store for recycling advice.

Care and Safety


We recommend cleaning with a soft dry cloth. Do not use solvents or abrasive cleaners as these could damage the finish.

For your safety, always switch off the power supply before changing lightbulbs, or cleaning.



Thank you for purchasing this light fitting. Please read the instructions carefully before use to ensure safe and satisfactory operation of this product. Please retain these instructions for future reference.

Warning

 This product is double insulated and does not require connection to an Earth circuit.

Please read these instructions carefully before commencing any work.

This unit must be fitted by a competent and qualified electrician.

Install in accordance with the IEE Wiring regulations and current Building Regulations.

Check the pack and make sure you have all the parts listed.

To prevent electrocution switch off at the mains supply before installing or maintaining this fitting. Ensure other persons cannot restore the electrical supply without your knowledge.

If you are in any doubt, please consult a qualified electrician.

If replacing an existing fitting, make a careful note of the connections.

This unit should be connected to a fused circuit.

Waste electrical products should not be disposed of with household waste. Please recycle where facilities exist. Check with your local authority or retailer for recycling advice.

Layout

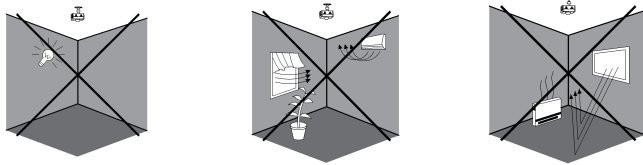
The mains supply cable must have a minimum cross section area of 1.0mm².

Cables must be protected using suitable conduit or plastic trunking.

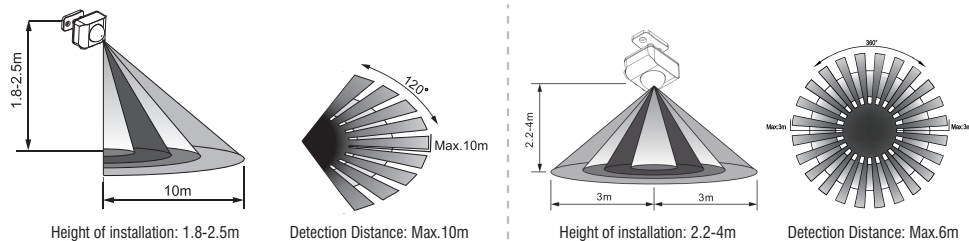
Avoid pointing the detector towards objects with highly reflective surfaces, such as mirrors etc.

Avoid mounting the detector near heat sources, such as heating vents, air conditioning units, light etc.

Avoid pointing the detector towards objects that may move in the wind, such as curtains, tall plants etc.



It not only can install on the wall directly but also can install on ceiling, the installation height and the detection distance refer to photographo below:



Installation

Existing fittings must be completely removed before installation of a new product. Before removing the existing fitting, carefully note the position of each set of wires.

Note that the switch is turned off before installation.

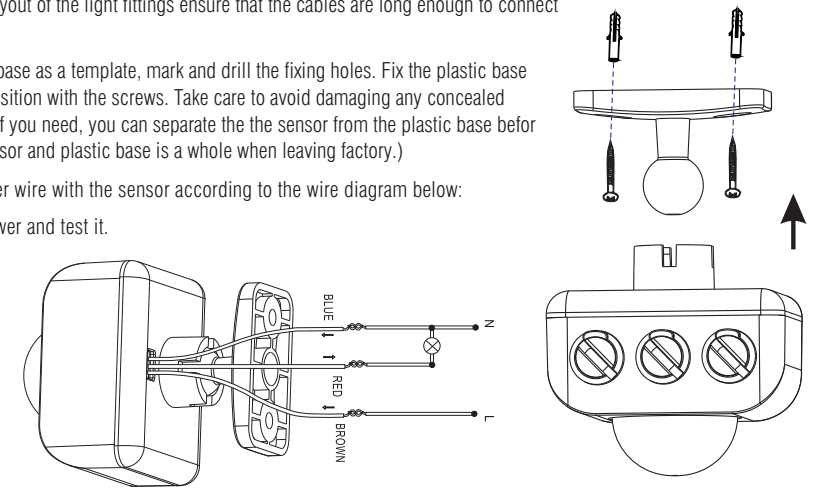
Ensure that the screws and cable entry points are sealed to maintain the IP rating of the product.

After deciding the layout of the light fittings ensure that the cables are long enough to connect to desired positions.

- Using the plastic base as a template, mark and drill the fixing holes. Fix the plastic base on the selected position with the screws. Take care to avoid damaging any concealed wiring or pipes. (If you need, you can separate the the sensor from the plastic base before installing. The sensor and plastic base is a whole when leaving factory.)

- Connect the power wire with the sensor according to the wire diagram below:

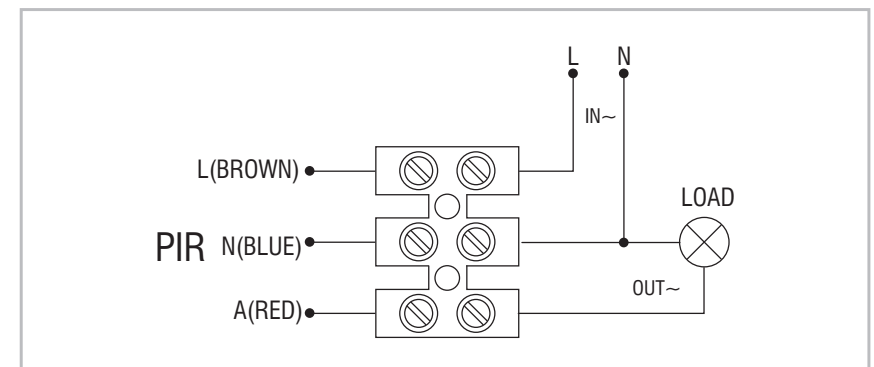
- Switch on the power and test it.



Wiring

This product is double insulated and must not be earthed. If there are any incoming earth cables, they must be joined together and well insulated with good quality insulation tape. This is to ensure earth continuity throughout your property.

Having correctly identified the wiring from your existing light fitting and connect to the connection block inside the product in the following way:



Check that...

You have correctly identified the wires
The connections are tight

No loose strands have been left out of the connection block
The cable clamp is fitted over the wires