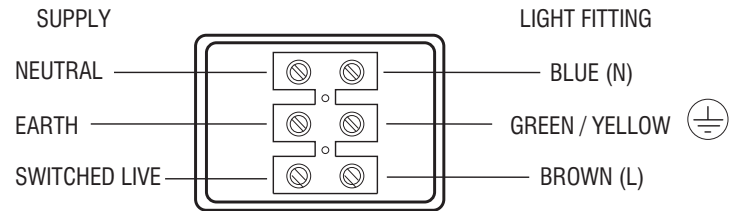


Wiring

Having correctly identified the wiring from your existing light fitting, pull the mains wire through the hole and connect to an approved outdoor rated terminal block(not supplied) in the following way:



Check that...

You have correctly identified the wires.

The connections are tight.

No loose strands have been left out of the connection block.

Technical data

Supply Voltage: 220-240 V~, 50 Hz

Bulb Type: 2 x 10W LED module (COB) CCT, 3000K/4000K/6000K



Conformity with all relevant UKCA Directive requirements.



Conformity with all relevant EC Directive requirements.



This is a Class 1 product and must be earthed.



Waste electrical products should not be disposed of with household waste. Please recycle where facilities exist. Check with your Local Authority or local store for recycling advice.



Caution! Risk of electric shock!



This product is rated at IP54.

Care and Safety

We recommend cleaning with a soft dry cloth. Do not use solvents or abrasive cleaners as these could damage the finish.

For your safety, always switch off the power supply before cleaning.

Instruction manual

Salde Twin Spot CCT

99544



V1 20/10/2021

UK Manufacturer: BH17 7BY

EU Manufacturer: Brilliant AG,
Brilliantstrasse 1, D-27442 Gnarrenburg

saxby
lighting

www.saxbylighting.com

saxby
lighting

Thank you for purchasing this light fitting. Please read the instructions carefully before use to ensure safe and satisfactory operation of this product. Please retain these instructions for future reference.

Warning

This is a Class 1 product and must be earthed.

Please read these instructions carefully before commencing any work

This unit must be fitted by a competent and qualified electrician.

Install in accordance with the IEE Wiring regulations and current Building Regulations.

Check the pack and make sure you have all the parts listed.

To prevent electrocution switch off at the mains supply before installing or maintaining this fitting. Ensure other persons cannot restore the electrical supply without your knowledge.

This light fitting should be connected to a circuit with a 30mA RCD fitted.

If replacing an existing fitting, make a careful note of the connections.

The entire unit gets hot whilst on for a period of time.

This product is not suitable for location in or near a marine environment.

The external flexible cable or cord of this luminaire cannot be replaced. If the cord is damaged, the luminaire must be destroyed.

Waste electrical products should not be disposed of with household waste. Please recycle where facilities exist. Check with your local authority or retailer for recycling advice.

Layout

Plan the desired layout of these fittings carefully, ensuring the cables will reach the distances between the junction box and the each light fitting.

Avoid locating any cables in positions that would cause a hazard. Position cables and outdoor rated junction boxes (not supplied) away from areas where they may be at risk from being cut, trapped or damaged.

We recommend that you use H05RN-F specification cable (not supplied) which is an outdoor grade, rubber sheathed cable.

The mains supply cable must have a minimum cross section area of 1.0mm².

Cables must be protected using suitable conduit or plastic trunking.

Installation

Existing fittings must be completely removed before installation of a new product. Before removing the existing fitting, carefully note the position of each set of wires.

Note that the switch is turned off before installation.

Ensure that the screws and cable entry points are sealed to maintain the IP rating of the product.

After deciding the layout of the light fittings ensure that the cables are long enough to connect to desired positions

- Determine the position of your light fitting taking into account the exit position of the cable. Ensure that the mounting surface is solid, preferably a brick or block wall and ensure that there are no other cables or pipes beneath the surface. Use appropriate fixings.
- Unscrew the head on the front of the base and remove the base plate.
- Using the base plate as a template, mark the position of fixing holes. drill holes and supplied wall plugs. Take care to avoid damaging any concealed wiring and pipes.
- Feed the power supply cable through the grommet in the hole of the base plate.
- Fix the base plate on the wall using screws provided (make sure the base plate is correctly oriented as per UP ↑ marked on the base.

- Connect the cable to the terminal block on the base plate, ensure correct polarity is observed (**This is a Class I product, and must be earthed**). Wire as detailed Wiring diagram.

- Press the lamp base on the plate, fix it with screws.

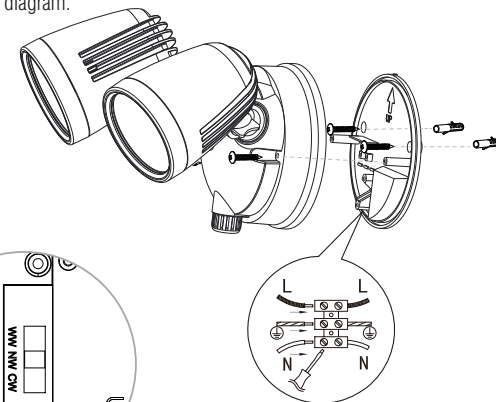
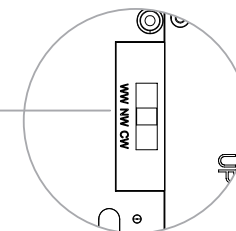
- Replace fuse or circuit breaker and switch on.

Your light is now ready for use.

This product is colour changing and can be either WW (3000K) or NW (4000K) or CW (6000K)

Choose your preferred colour before installing by using the CCT switch on back of the product.

CCT Switch



Accessories available: 91864, 91865, 91866

This luminaire can work with sensors 91864, 91865, 91866.

- Switch off power supply.
- Remove the cover at the lower side of base, plug in sensor, and tighten the nut. Adjust sensor angle and setting.

These sensors must be installed in a vertical position, and fitted up to 1.8-2.5m above the ground.

PIR sensor: 91864(black)

The PIR sensor can be adjusted by turning the 'SENS' and 'TIME' screw using the small screwdriver, allowing the detection distance to be altered to suit the location. The detection angle is set at 120°. The detection range up to max 10 metres (<24°C). The duration that lamp stays on can also be altered from 10±3 seconds - 7±2 minutes. When adjusting the sensitivity (detection distance) in daylight it will be necessary to cover the sensor to simulate night time.

MANUAL OVERRIDE FUNCTION:

- How to activate override mode: When the sensor is in automatic sensor mode and the light is ON, turn OFF-ON-OFF-ON the wall switch within 3 seconds, and the sensor will be in override mode - the light will illuminate continuously.
- How to return to automatic sensor mode: Switch off the wall switch, wait 10 seconds and then switch it back on, then the sensor will be back in automatic sensor mode.

MV sensor: 91865(black)

Detection Angle: 360°

Detection Range: Max. 3 - 10m radius (adjustable)

Time Setting: 10Sec - 15Min (adjustable)

Power Source: 220~240V/AC 50/60Hz

Rated Load: Max.100W

Ambient Light: < 10Lux - 2000Lux (adjustable)

Photocell sensor: 91866(black)

Ambient Light: <10LUX on, >40LUX off

