



10yr Warranty



Interchangeable LED



Interchangeable Optics



No Maintenance



LED Protection



Cool to Touch 63°C



Anti-Wicking Barrier



Eco-Friendly



Energy Efficient



Thermal Protect



Made in England



10° Beam angle



18° Beam angle



32° Beam angle



42° Beam angle



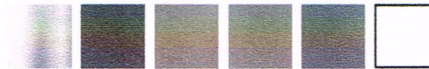
2700K Warm white



4000K Cool white

The LV-804 is a tiny but powerful IP68 adjustable bracket spot light. This fixture is machined from solid 316 marine grade stainless steel, and uses the Light Visuals high quality replaceable LED module. It also has innovative colour coded interchangeable optics amongst many other key features. The LV-804 Triple Spike light unlike the LV-803 has the addition of 3x 150mm long 316 stainless steel anchoring spikes for secure fixing in loose soil types. It's also available in a range of quality powder coat finishes to compliment hardscape designs.

Light Visuals products are made to order.
(Please allow 2-4 weeks for delivery).



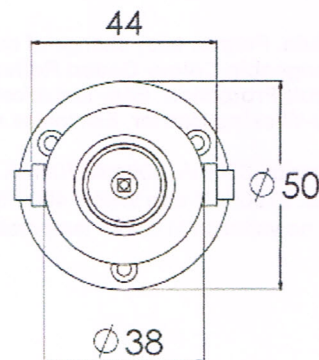
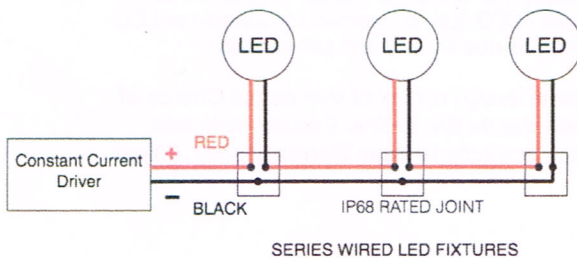
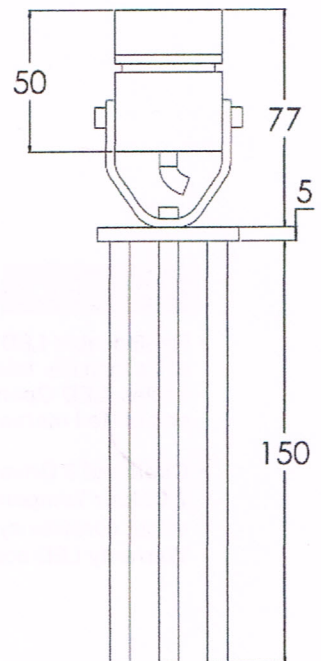
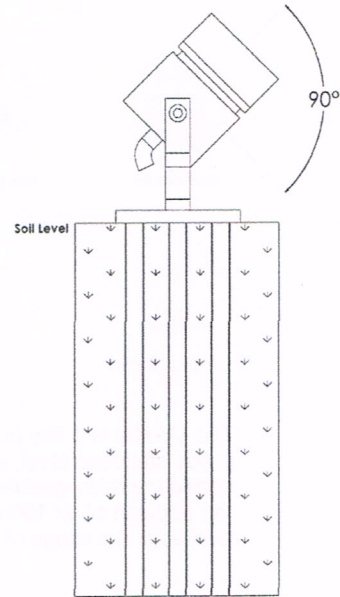
Available in 316L stainless steel, or UV stable polyester powder coated stainless steel finishes.

Key Features

- **Replaceable LED Module.** Permits easy change of colour temperature or replacement of the LED at the end of its long life. **Interchangeable Colour Coded Reflectors (Optics).** For complete design control of beam angles. **LED Open Circuit Protection.** Easy identification of a failed LED due to incorrect installation or LED end of life. **Internal Anti-Wicking Barrier.** Eliminates moisture ingress due to incorrect cable joints.
- **Choice of 3 Drive Currents.** 350mA, 500mA, 700mA. For complete design control of light output. **Choice of 2 Colour Temperatures.** 2700°K Warm White, 4000°K Cool White. **Single Bin LED's.** Ensures complete colour consistency with no variation in colour temperature between products. **10 Year Warranty** body. **5 Year Warranty** LED board.

Specification

- Designed, manufactured, and hand assembled in England
- **Wiring:** (SERIES)
- Requires a remote (constant current) LED driver 700mA maximum
- **Choice of Light Outputs:** 350mA = 1.2w, 500mA = 1.7w, 700mA = 2.4w
- **Forward Voltage:** 3.2v DC
- **Colour Temperature:** 2700°K (warm white) or 4000°K (Cool white)
- **Light Source:** Cree XP-E (Light Visuals proprietary replaceable LED module)
- **Binning:** 2 Step MacAdams Ellipse binning quality 2700°K only
- **Colour Rendering Index:** CRI 85
- **Lumens:** 80lm@350mA 150lm@700mA (Typical)
- **Dimmable:** 0-10V
- **Beam Choice:** 10°, 18°, 32°, 42°
- **Ingress Protection:** IP68 (submersible)
- **Cable:** 1m 2 core HO5RN-F rubber cable. (can be supplied up to 10m at additional cost)
- **Warranty:** 10 year warranty on brass, stainless steel, powder coated stainless steel)
- **Warranty:** 5 year warranty LED board



July 2018