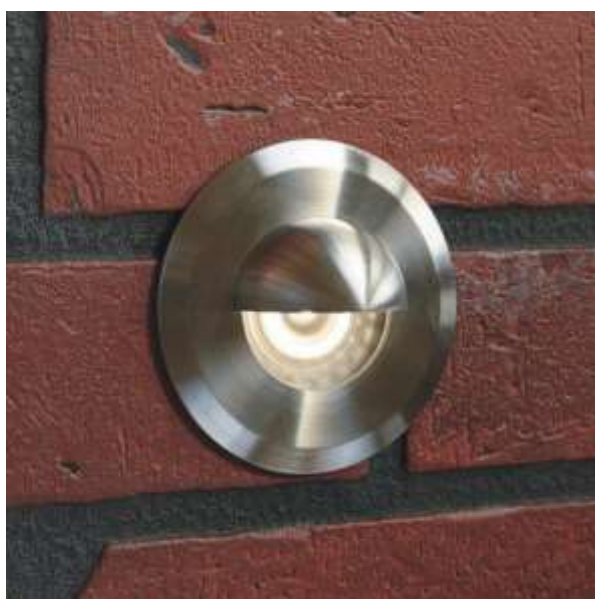


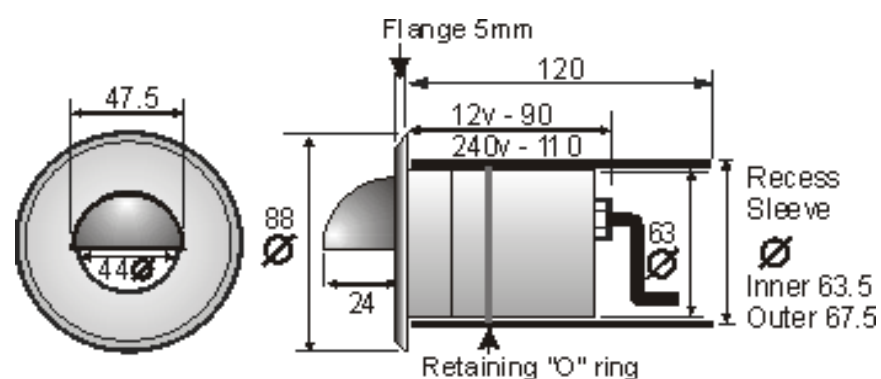
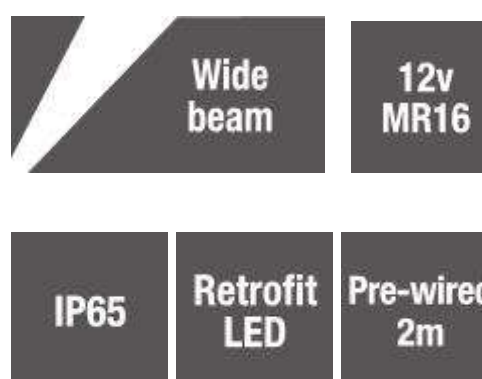
## E8111L- Smoothie Eyelid Light - Stainless Steel - 12v

### Description

Elipta Smoothie eyelid is a very stylish, IP65 high quality stainless steel, 12v LED step light. Choose from a range of MR16 lamps with varying light outputs, beam angles and colour temperatures (order lamps separately.) Smoothie Eyelids are exterior recessed lights, fitted with a frosted lens to diffuse any glare and an eyelid to help shield the lamp from view. The front bezel (with eyelid) has no visible, external fixings and is attached to the tubular aluminium body which unscrews into 2 halves, and locates via an "O" ring onto a polycarbonate installation sleeve. Smoothie Eyelids represent landscape lighting that ooze quality during daylight hours and provide functional lighting around steps, decking and patios at night.



<b>Electrical data</b>	12v MR16. 2 metre x 2 core HO7RN-F cable.
<b>Colour/ Finish</b>	316 grade stainless steel bezel. Powder coated aluminium body.
<b>Exterior Dimensions</b>	88mm dia bezel with a 44mm eye. Body 63mm dia x 90mm. Sleeve 67.5mm dia x 120mm.



### Installation guidelines

The plastic sleeve is built into the wall during construction or retrofitted into a hole cut with a coring bit: the light pushes into the tube, where it is held firmly in place by an "O" ring, leaving a front plate with no visible fixing screws. Suitable drainage should be provided below each fitting to prevent water logging. Smoothies should not be installed in ground subject to water logging. Connect input cable to cable from transformer using T9962 cable joint or T9963 cable splice kit.

**5 YEAR WARRANTY**

Solid 316 stainless steel top

**Exclusions:** Damage by machinery, animals or the use of incorrect cleaning materials. Corrosion due to exposure to salt or chlorine. Natural brass will discolour (tarnish) over time. Damage due to incorrect installation practices.

**2 YEAR WARRANTY**

Powder coated aluminium body & fitting

**Exclusions:** Damage by machinery, animals or the use of incorrect cleaning materials. Corrosion due to exposure to salt or chlorine. Damage due to incorrect installation practices. Responsibility for 3rd party cost; indirect or consequential loss