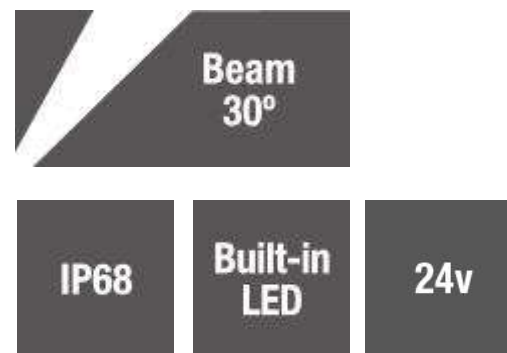


ERU010-01A- Elipta Micro Underwater Light 2w 3000K Stainless Steel 24v DC 200Lm

ERU010-01A Micro Underwater Light is a small, neat 2w LED IP68 fully submersible light made from high quality stainless steel. It has a clear, flush lens and provides a warm white, focused 30° beam from the latest built-in Cree LED. Fitted with a fully adjustable stainless steel stirrup bracket, and available with a choice of weighted, cast brass mounting bases – in either chrome plated or powder-coated black finish.

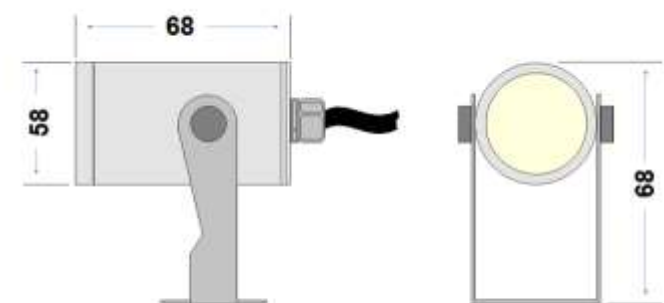


Electrical	2w 3000K 24v DC 200Lm 30° beam angle
Construction	solid stainless steel tube mounted on a solid stainless steel stirrup bracket
Dimensions	68mm with a 58mm diameter lens and 68mm tall



Installation guidelines

Can be mounted via E2530M black polycarbonate spike supplied or can be mounted directly to a wall or paving with the stirrup bracket. A 5m input cable is provided for connection to 24v DC power supply (not supplied).



5 YEAR
WARRANTY

Stainless steel body

Exclusions: Damage by machinery, animals or the use of incorrect cleaning materials. Corrosion due to exposure to fertilizer, salt or chlorine. Damage due to incorrect installation practices. Responsibility for 3rd party costs; indirect or consequential loss

