

# GLWW1W- Lumina - Warm White 1w Deck Light with Frosted Lens

## Description

Lumina is a small recessed deck light with a 1w warm white led, frosted lens and chamfered stainless steel top. It is designed for easy installation with the minimum of tools with the Patilo range of Plug&Play transformers, connectors, extension cables and junction boxes. The 1w led provides a wide beam 25 lumen output for bright outlining of decking, path and terrace areas. Its spring clip locates in a 35-37mm hole drilled in decking or the plastic mounting sleeve supplied for installation in paving or masonry. It has a 1m long input cable and a 1m output cable with IP44 2-pin input connector, allowing up to 10 Lumina to be installed in one line of lights.

**Colour/ Finish** 316 Grade Stainless Steel Top.

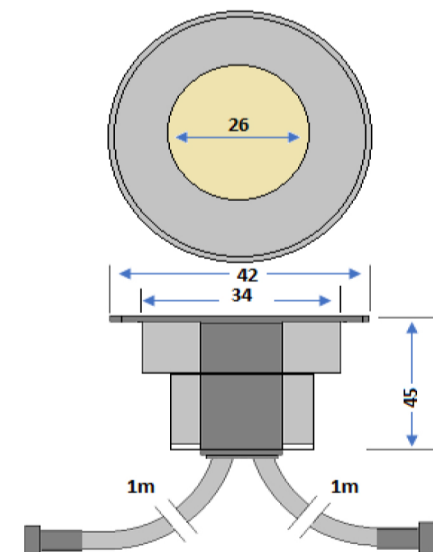
**Exterior Dimensions** 42mm diameter x 45mm deep.



IP68	Built-in LED	12v 1w
Pre-wired 1m	Beam 30°	3000K

## Installation guidelines

Lumina is fitted with one 1m long input cable with male IP44 2-pin input connector to plug into a Plug&Play transformer, extension cable, connector or junction box and one 1m long output cable with a female IP44 2-pin input connector into which can be plugged another Lumina in a line of up to 10 lights from the transformer. Fits a 35-37mm hole drilled in decking or the plastic mounting sleeve supplied for installation in paving or masonry.



## 2 YEAR WARRANTY

Internal wiring & lampholder

---

Exclusions: Damage due to incorrect lamp fitting or lamps above specification. Responsibility for 3rd party cost; indirect or consequential loss