

E996SS - Hydro Plus Underwater Light with Base

Description

Hydro Plus is a 12v 316 stainless steel underwater spotlight with base mount designed for submersion in water features. It takes MR16 LED lamps in a variety of beam angles to cater for a wide range of creative garden lighting effects. Underwater lighting will create a shimmering lighting effect if used in conjunction with moving water, and movement in lighting effects adds another dimension to creative garden lighting design. Clip-on colour filters and glare louvres may be fitted to the front of MR16 lamps inside the light for a variety of lighting effects.

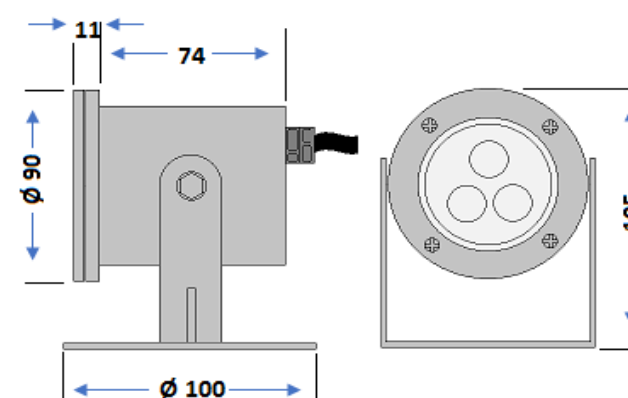


Electrical	12v Retro-fit MR16
Colour/ Finish	316 Grade Stainless Steel
Exterior Dimensions	103mm x 63mm, not including 250mm spike.



Installation guidelines

Direct connection to a transformer or junction box via 6 metre cable fitted. Avoid cable joints underwater or in wet areas unless the joint is resin filled.



5 YEAR WARRANTY

Stainless steel body

Exclusions: Damage by machinery, animals or the use of incorrect cleaning materials. Corrosion due to exposure to fertilizer, salt or chlorine. Damage due to incorrect installation practices. Responsibility for 3rd party costs; indirect or consequential loss

2 YEAR WARRANTY

Internal wiring & lampholder

Exclusions: Damage due to incorrect lamp fitting or lamps above specification. Responsibility for 3rd party cost; indirect or consequential loss