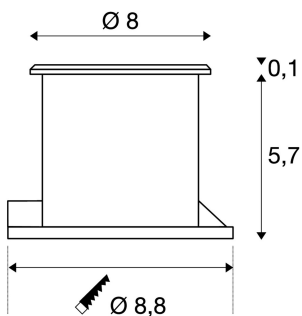




DASAR FLAT 80

outdoor inground fitting, LED, 3000K, IP67, round, brushed stainless steel, 4.3W

The 240V inground fitting DASAR FLAT 80 has a round stainless steel shade and frosted glass cover and is fitted with a high-performance power LED module. With protection class IP67, the luminaire available in two colours of light is suitable for outdoor use. The electrical connection is made using the connection lead included directly to the 230V mains supply. A mounting pot is included in the delivery for simple assembly.



TECHNICAL DATA

Item no.:	228412
Lamps included	0
Primary nominal voltage	230V ~50/60Hz mA/V
Height	5.8 cm
Diameter	8.0 cm
Installation diameter	8.8 cm
Installation depth	5.7 cm
Net weight	0.425 kg
Gross weight	0.493 kg
IP Code	IP 67
Safety class	I
Impact resistance class	IK08
Impact resistance	5 Joule
Assembly	Recessed
Assembly details	Ground,Wall
Wattage	4.3 W
Lumen	140 lm
Colour temperature	3000 Kelvin
Beam angle	125 °
CRI	>80
Service life	30000 h
Minimum ambient temperature	-20 °C



Maximum ambient temperature	40 °C
Mechanical loading	0,18 t
BIG WHITE Page	722

Notes
