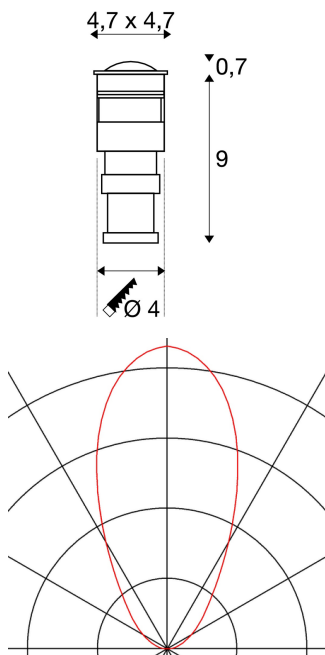




POWER TRAIL-LITE 47

outdoor inground fitting, LED, 3000K, IP67, square, stainless steel 316

The inground fitting and recessed wall light fitted with one power LED, POWER TRAIL-LITE 47 can also be used for outdoor applications with its IP67 protection. We alternatively offer other colours of light and round or square covers. For simplified mounting, a mounting pot is included in the delivery. The electrical connection is made by the connection lead of a separately available 350mA LED driver.



TECHNICAL DATA

Item no.:	228342
Lamps included	0
Secondary power / secondary voltage	350 mA/V
Length	4.7 cm
Width	4.7 cm
Depth	6.7 cm
Installation diameter	4.0 cm
Installation depth	9.0 cm
Net weight	0.305 kg
Gross weight	0.377 kg
IP Code	IP 67
Safety class	III
Assembly	Recessed
Assembly details	Ground, Wall
Wattage	1.0 W
Lumen	45 lm
Colour temperature	3000 Kelvin
Beam angle	60 °
Color	stainless steel
CRI	>90
Minimum ambient temperature	-20 °C
Maximum ambient temperature	20 °C



Accessories

464108	LED DRIVER , 3W, 320mA, incl. strain relief
464111	LED DRIVER , 18W, 350mA, incl. strain relief

Notes
