

# 300W DALI Dimmable LED Driver

Constant Voltage IP66 24VDC

# INTALED

## LDDA-IP300/24



### Technical Specification

Order Code		LDDA-IP300/24
Output	Rated Power	300W
	Rated Current	12.5A
	Output Voltage	24V DC
	Voltage Tolerance	±0.5V
	Voltage Regulation	±0.5%
	Load Regulation	±2%
	Input	Voltage Range
Frequency Range		47~63Hz
Efficiency (Typ)		88.4% at 230V AC (Full loading)
Power Factor (Typ)		0.97 at 230V AC (Full loading)
THD (Typ)		<20% at 230 V AC (Full loading)
AC Current (Max)		3.33A
Inrush Current (Typ)		65A at 230V AC
Leakage current		<0.5mA
Protection	Overload	≤ 120%
	Short circuit	Recovers automatically after condition is removed
	Over temperature	100°C ±10°C Recovers automatically after cooling
	Protection Class	I
Environment	Working Temp	-40~+60°C (refer to the derating curve)
	Working Humidity	20~95%RH, non-condensing
	Ingress Protection	IP66 waterproof
	Storage Temp / Humidity	-40~+80°C, 10~95%RH
	TEMP. coefficient	±0.03%/°C(0-50°C)
	Vibration	10~500Hz, 5G 10 min./1 cycle, period for 60min. each along X, Y, Z axes

# 300W DALI Dimmable LED Driver

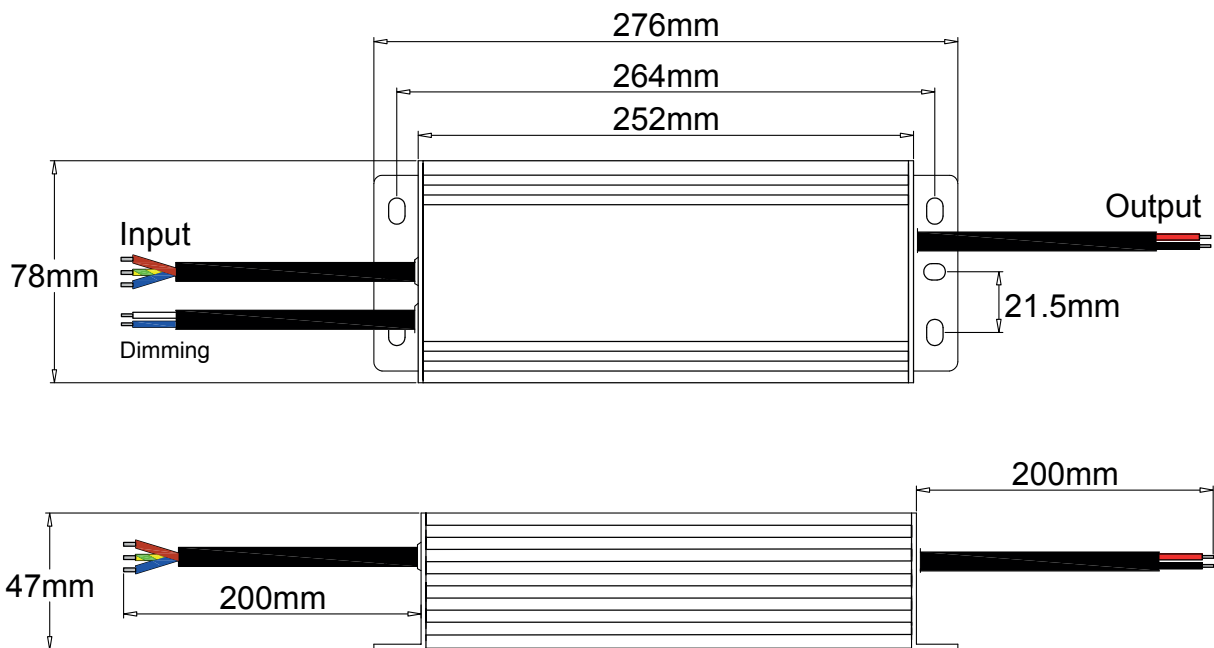
# INTALED

## Constant Voltage IP66 24VDC

Safety & EMC	Safety Standards (LVD)	EN61347-2-13:2014/A1:2017, EN61347-1:2015, EN 62493:2015
	Withstand Voltage	I/P-O/P:3.75KVAC
	Isolation Resistance	I/P-O/ P:100MΩ / 500VDC / 25°C / 70%RH
	EMC Emission and Immunity	EN 55015:2013/A1:2015, EN 61547:2009, EN 61000-3-2:2014, EN 61000-3-3:2013
DALI	Dimming Type	PWM dimming, PWM frequency ~ 240Hz
	DALI consumption	~0.2mA
Mechanical	Size	276x78x47mm (L×W×H)
	Weight	1.65Kg

To calculate the maximum number of drivers per mcb the following calculation can be applied:  
Number for drivers= I<sub>peak</sub> (breaker)/ I<sub>surge</sub> (driver).  
Consult breaker manufacturer for guidance on circuit breakers for direct current applications.

### Dimensions



### Recommended Mounting Position

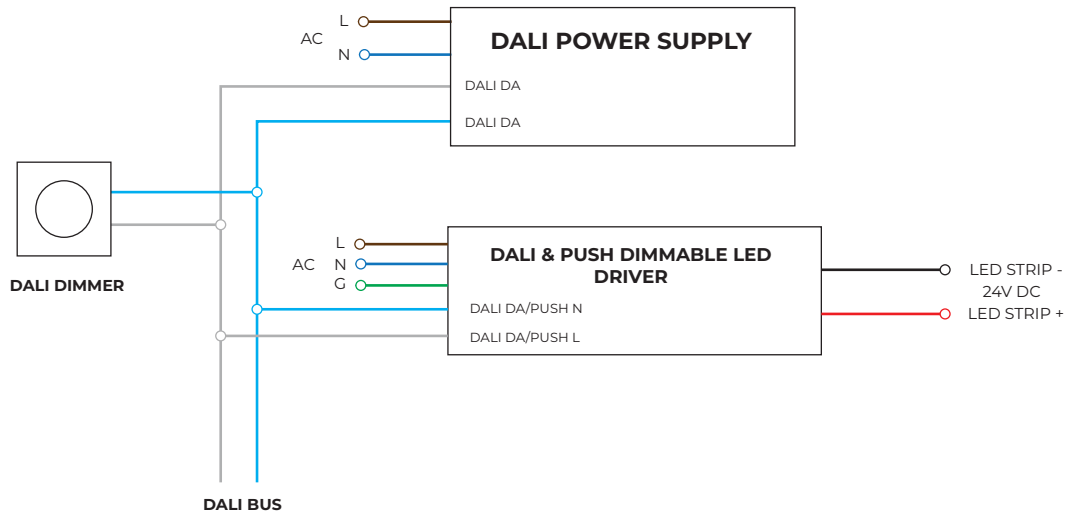


# 300W DALI Dimmable LED Driver

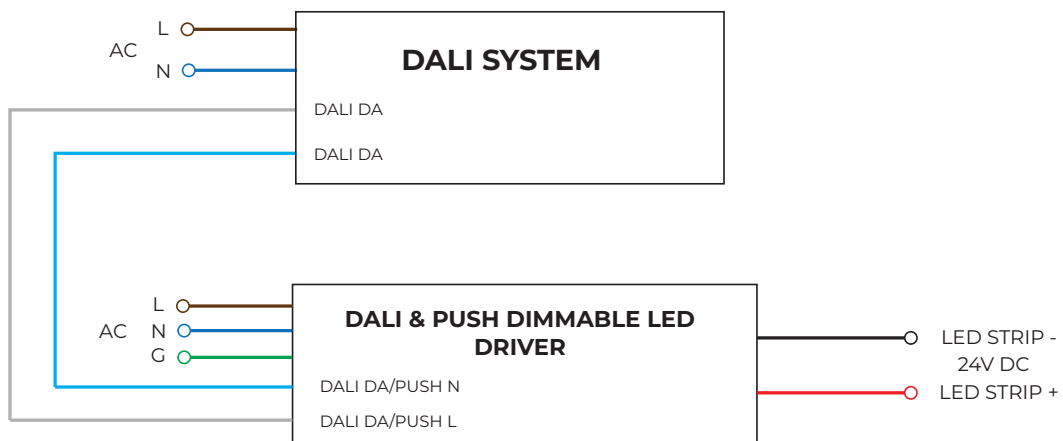
Constant Voltage IP66 24VDC

# INTALED

DALI dimmer wiring diagram



DALI system wiring diagram

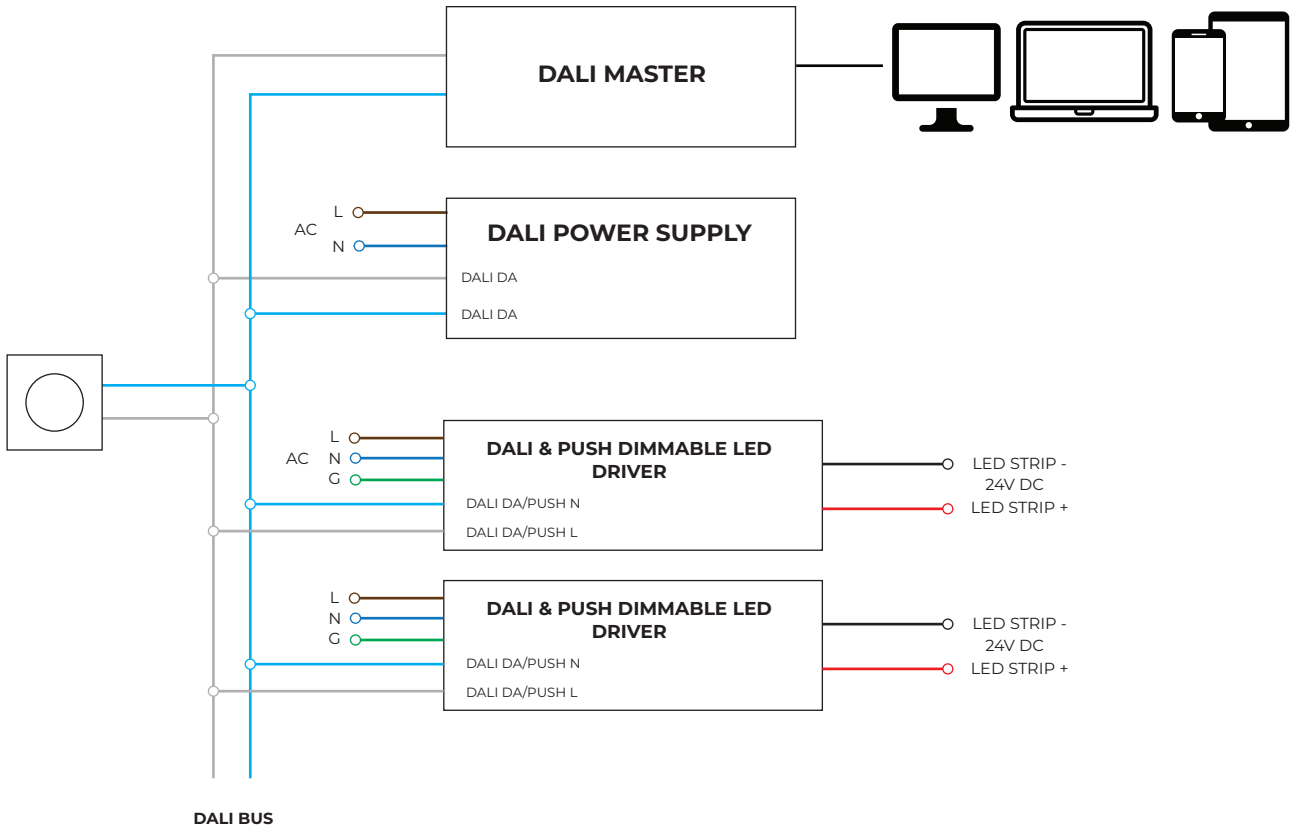


# 300W DALI Dimmable LED Driver

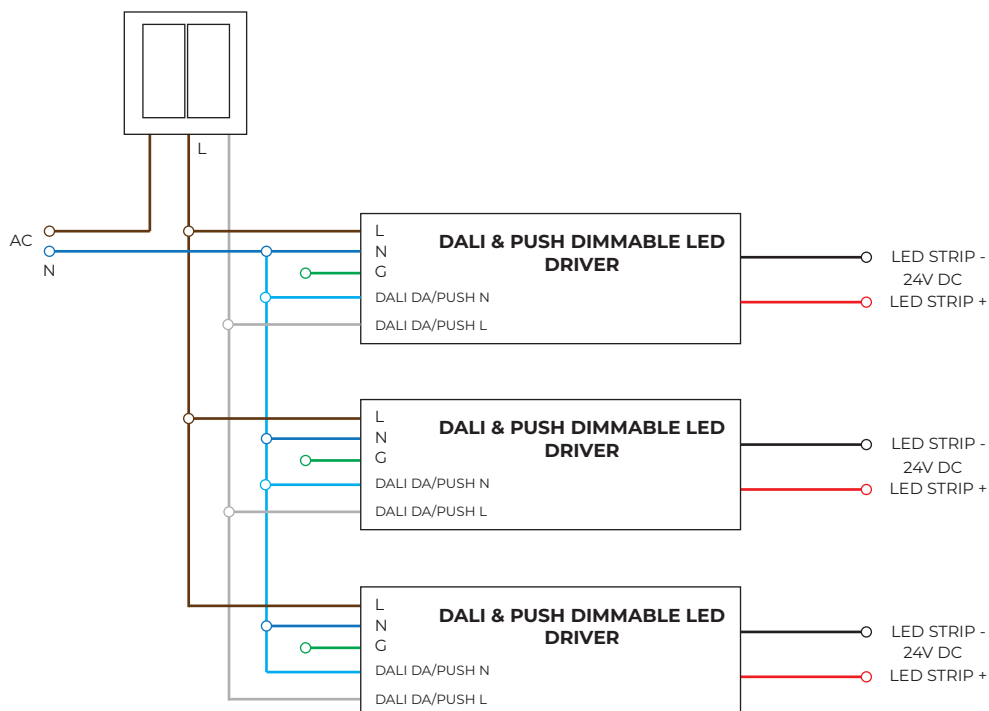
Constant Voltage IP66 24VDC

# INTALED

PC + DALI MASTER + DIMMER wiring diagram



PUSH dimming wiring diagram with ON/OFF function

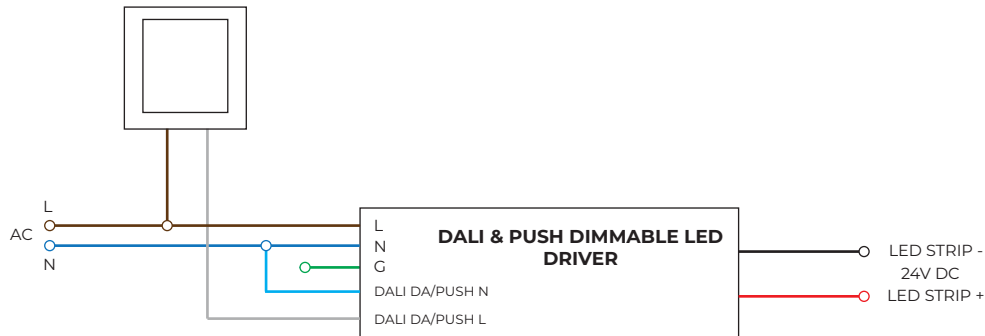


# 300W DALI Dimmable LED Driver

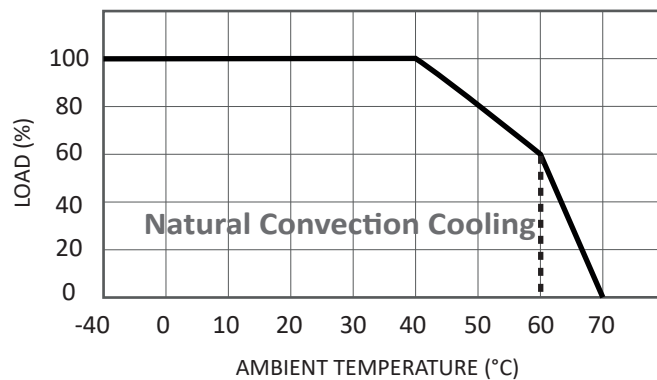
Constant Voltage IP66 24VDC

# INTALED

PUSH dimming wiring diagram



Derating Curve



## Guarantee:

All LED and electrical components carry a 5 year electrical guarantee, All lamps have their own average life span. We recommend all products are installed by NICEIC / registered electrical contractors, failure to do so will result in any guarantee becoming void.

## Full Terms & Conditions:

For our full terms and conditions please visit our website - [www.intalite.co.uk/terms-conditions](http://www.intalite.co.uk/terms-conditions)

INTALITE UK  
148 - 154 Merton High Street;  
London, SW19 1AZ, UK  
Tel: +44 (0)20 8542 1471  
Fax: 0870 4211 763  
[www.intalite.co.uk](http://www.intalite.co.uk)  
[sales@intalite.co.uk](mailto:sales@intalite.co.uk)