

100W DALI Dimmable LED Driver

Constant Voltage IP66 24VDC

INTALED

LDDA-IP100/24



Technical Specification

Order Code		LDDA-IP100/24
Output	Rated Power	100W
	Rated Current	4.16A
	Output Voltage	24V DC
	Voltage Tolerance	±0.5V
	Voltage Regulation	±0.5%
	Load Regulation	±2%
Input	Voltage Range	100~265VAC
	Frequency Range	47~63Hz
	Efficiency (Typ)	86.4% at 230V AC (Full loading)
	Power Factor (Typ)	0.98 at 230V AC (Full loading)
	THD (Typ)	<20% at 230 V AC (Full loading)
	AC Current (Max)	1.17A
	Inrush Current (Typ)	59A at 230V AC
	Leakage current	<0.5mA
	Protection	Overload
Short circuit		Recovers automatically after condition is removed
Over temperature		100°C ±10°C Recovers automatically after cooling
Protection Class		I
Environment	Working Temp	-40~+60°C (refer to the derating curve)
	Working Humidity	20~95%RH, non-condensing
	Ingress Protection	IP66 waterproof
	Storage Temp / Humidity	-40~+80°C, 10~95%RH
	TEMP. coefficient	±0.03%/°C(0-50°C)
	Vibration	10~500Hz, 5G 10 min./1 cycle, period for 60min. each along X, Y, Z axes

100W DALI Dimmable LED Driver

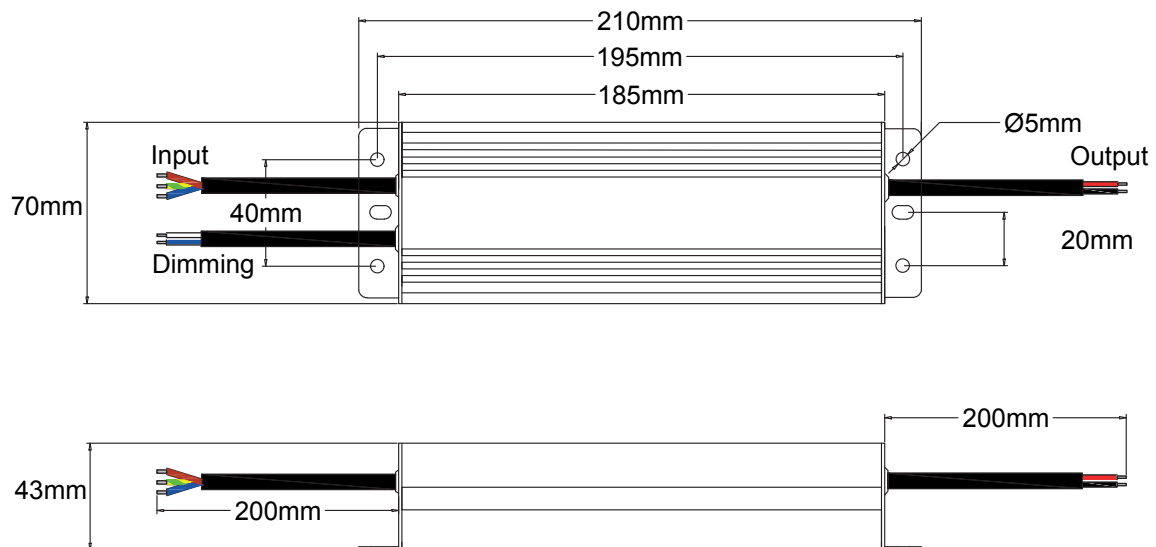
Constant Voltage IP66 24VDC

INTALED

Safety & EMC	Safety Standards (LVD)	EN61347-2-13:2014/A1:2017, EN61347-1:2015, EN 62493:2015
	Withstand Voltage	I/P-O/P:3.75KVAC
	Isolation Resistance	I/P-O/ P:100MΩ / 500VDC / 25°C / 70%RH
	EMC Emission and Immunity	EN 55015:2013/A1:2015, EN 61547:2009, EN 61000-3-2:2014, EN 61000-3-3:2013
DALI	Dimming Type	PWM dimming, PWM frequency ~ 240Hz
	DALI consumption	~0.2mA
Mechanical	Size	210x70x43mm (L×W×H)
	Weight	1.05Kg

To calculate the maximum number of drivers per mcb the following calculation can be applied:
Number for drivers= I_{peak} (breaker)/ I_{surge} (driver).
Consult breaker manufacturer for guidance on circuit breakers for direct current applications.

Dimensions



Recommended Mounting Position

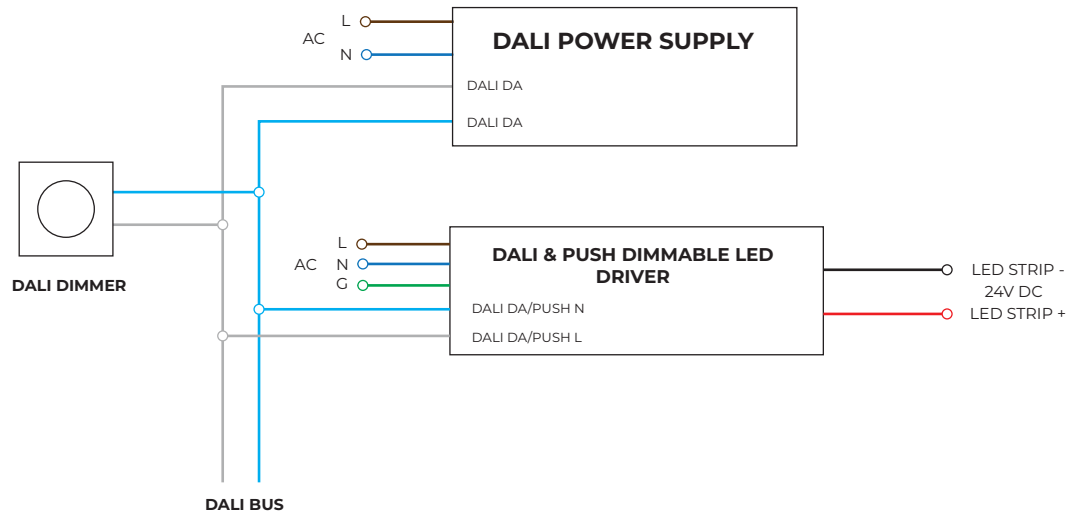


100W DALI Dimmable LED Driver

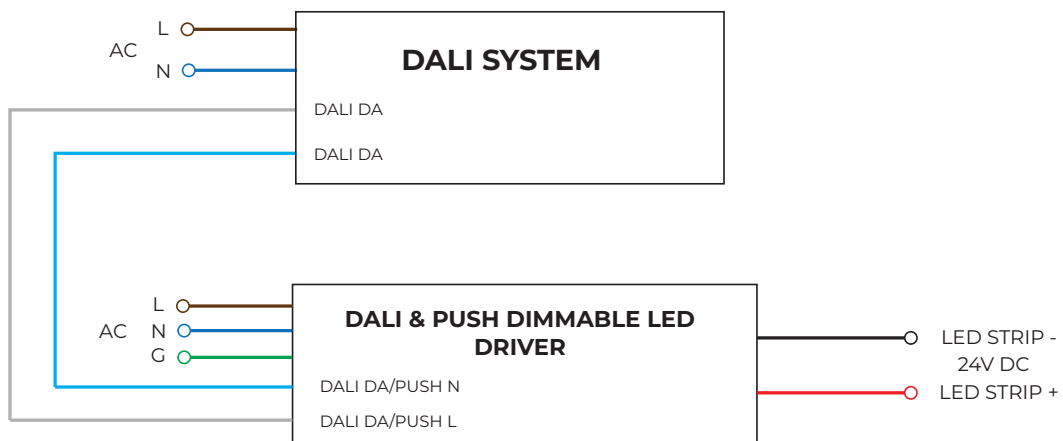
Constant Voltage IP66 24VDC

INTALED

DALI dimmer wiring diagram



DALI system wiring diagram

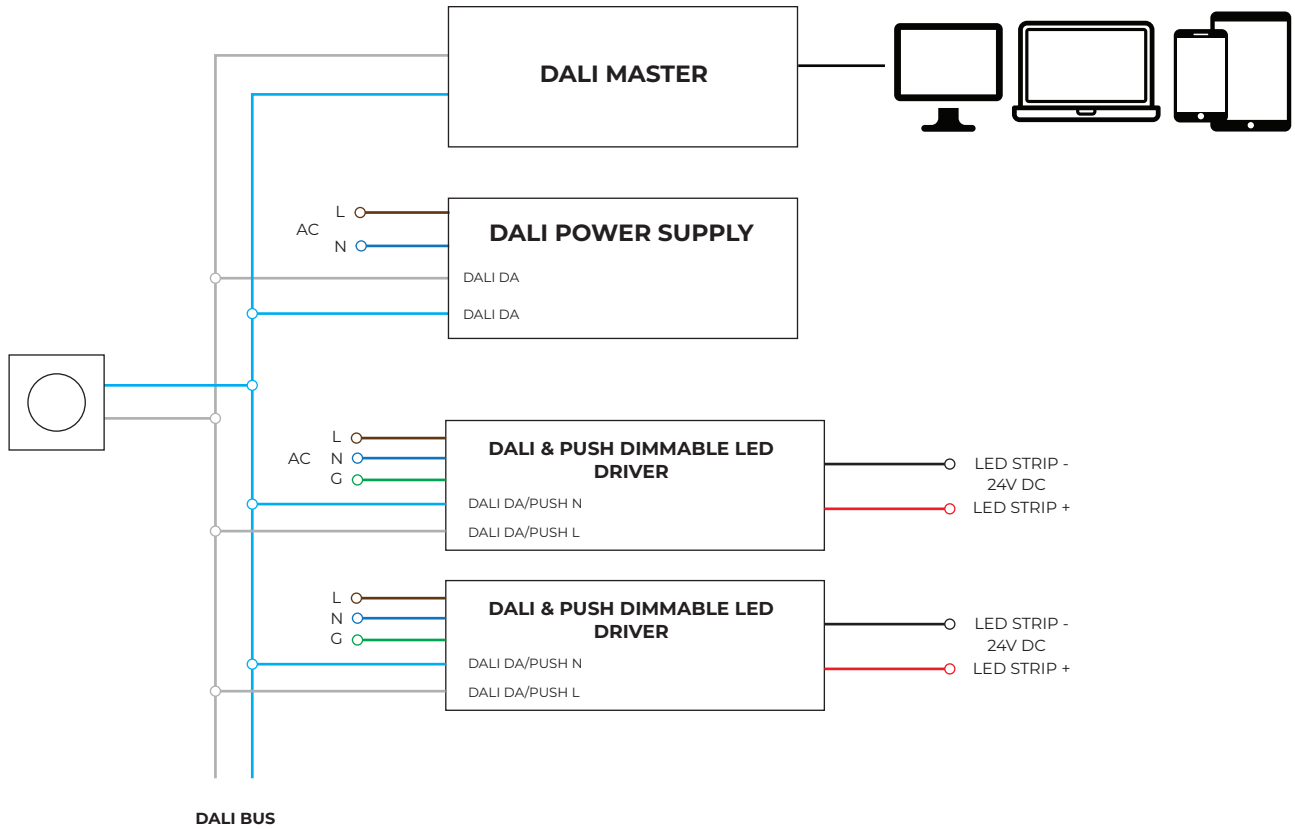


100W DALI Dimmable LED Driver

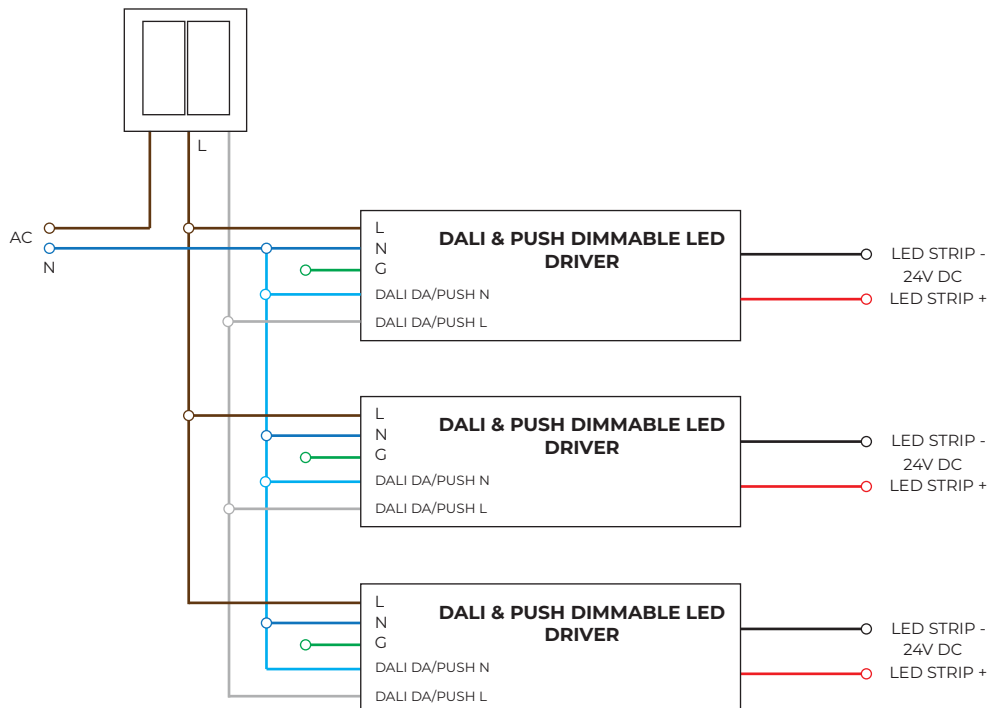
Constant Voltage IP66 24VDC

INTALED

PC + DALI MASTER + DIMMER wiring diagram



PUSH dimming wiring diagram with ON/OFF function

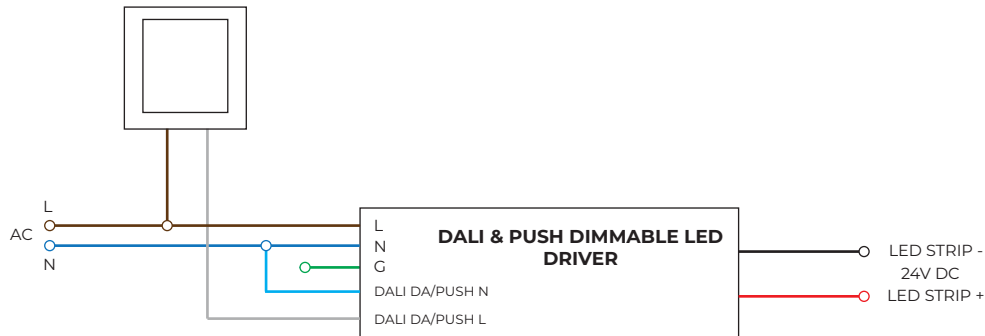


100W DALI Dimmable LED Driver

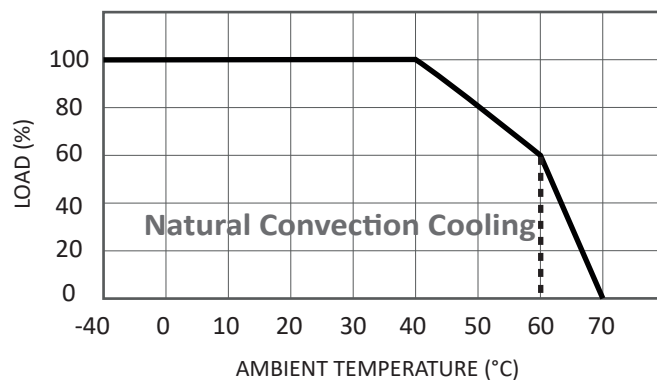
Constant Voltage IP66 24VDC

INTALED

PUSH dimming wiring diagram



Derating Curve



Guarantee:

All LED and electrical components carry a 5 year electrical guarantee, All lamps have their own average life span. We recommend all products are installed by NICEIC / registered electrical contractors, failure to do so will result in any guarantee becoming void.

Full Terms & Conditions:

For our full terms and conditions please visit our website - www.intalite.co.uk/terms-conditions

INTALITE UK
148 - 154 Merton High Street;
London, SW19 1AZ, UK
Tel: +44 (0)20 8542 1471
Fax: 0870 4211 763
www.intalite.co.uk
sales@intalite.co.uk