

4 Channel DMX Decoder

for Single Colour, Tunable White,
RGB and RGBW LED strip

INTALED

PR-RGB(N)



Product Description

This signal repeater enables users to expand single colour, tunable white, RGB and RGBW LED strip runs, without the need for additional receivers. Compatible with all Intaled receivers.

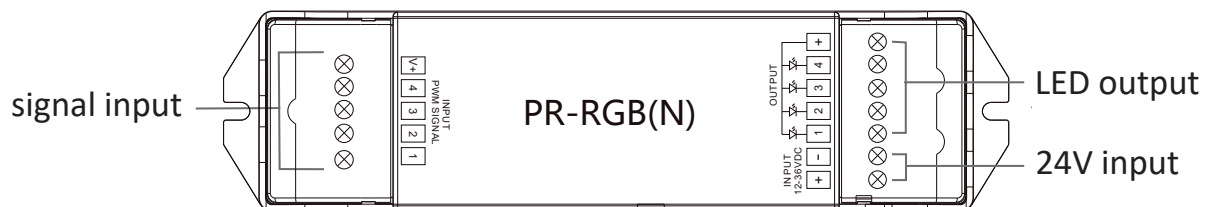
Technical Specification

Decoder	
Order Code	PR-RGB(N)
Type	signal repeater
Input Voltage	12-36VDC
Current	4X5A
Output	4X(60-180)W
Note	Constant voltage
Dimension	45x175x28mm (WxLxH)

Features

- Unlimited signal expansion
- PWM dimming
- Compatible with all Intaled receivers and decoders

Signal repeater layout

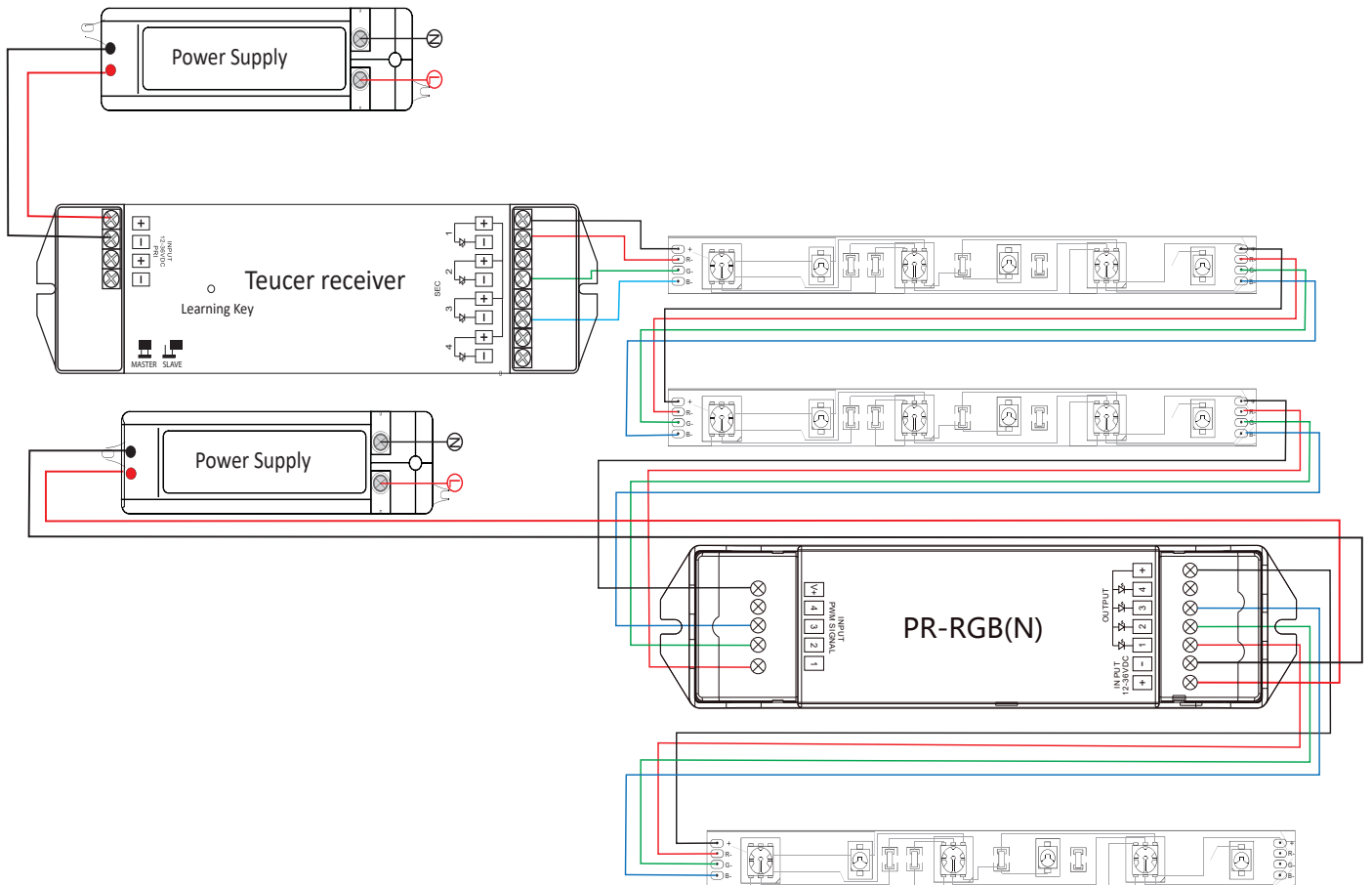


4 Channel DMX Decoder

for Single Colour, Tunable White,
RGB and RGBW LED strip

INTALED

Wiring diagram - series



When wiring the decoders, it is important to make sure the total wattage of the LED strips does not exceed the maximum rated wattage per channel of the decoder. Each channel is rated at 5A, so the maximum wattage per channel is $24 \times 5A = 120W$.

The power supply has to match the rated voltage and be superior to the total LED strip wattage by a recommended 10%.

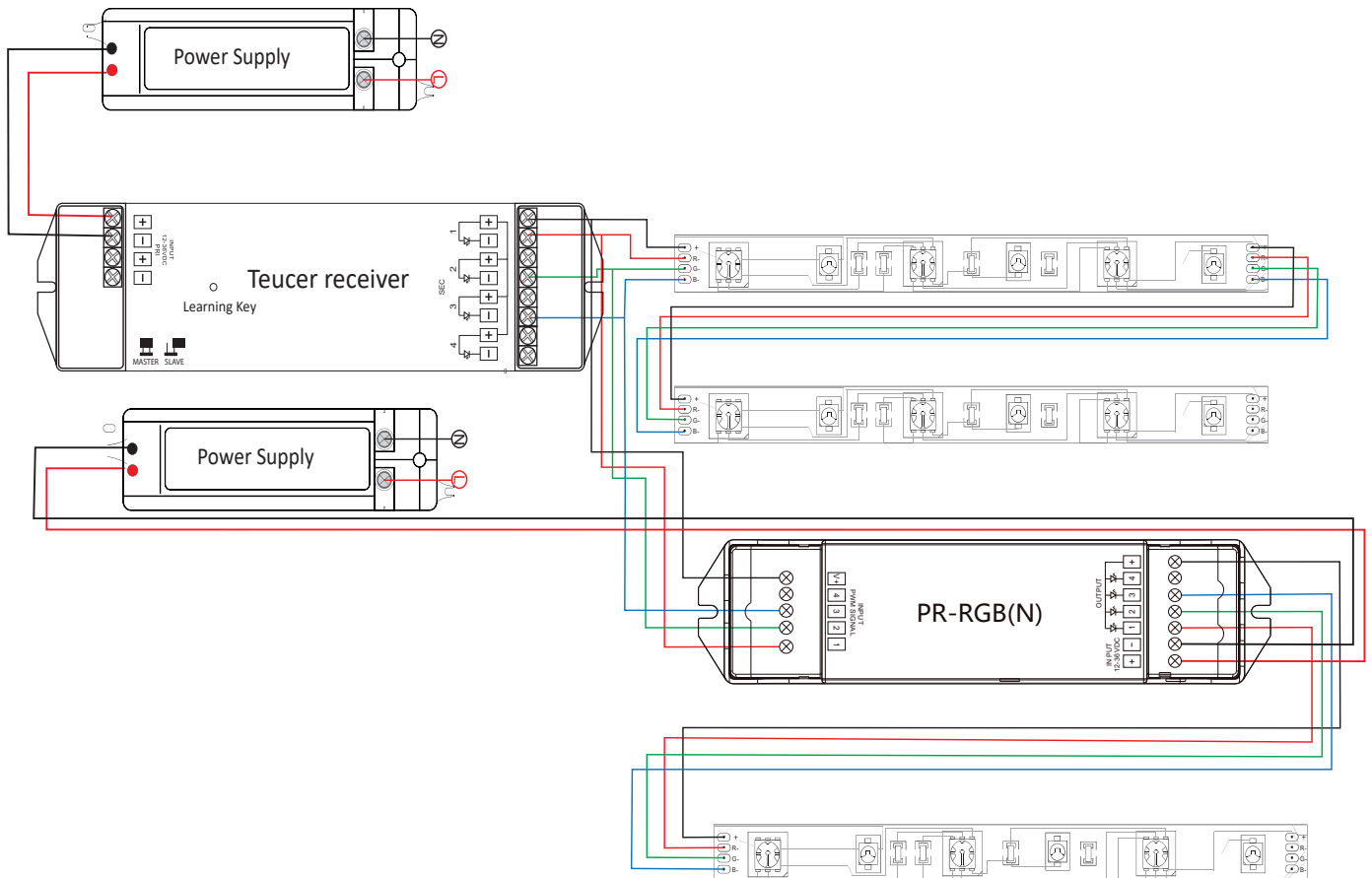
The signal repeater is compatible with single colour LED strips, tunable white, RGB and RGBW, and can be wired similarly for both series and parallel connections.

4 Channel DMX Decoder

for Single Colour, Tunable White,
RGB and RGBW LED strip

INTALED

Wiring diagram - parallel



Safety

- Products must be installed and serviced by qualified electrician.
- Please ensure the receiver is mounted in a water proof enclosure if installed in an outdoor environment, avoiding metallic enclosures.
- Always ensure products are mounted in areas with adequate ventilation to avoid overheating.
- Please ensure outputs of any power suppliers used in conjunction with this product comply with its working voltage.
- Never install product whilst connected to power and double check connections before switching on to avoid short circuits.

Guarantee:

All LED and electrical components carry a 5 year electrical guarantee, All lamps have their own average life span. We recommend all products are installed by NICEIC / registered electrical contractors, failure to do so will result in any guarantee becoming void.

Full Terms & Conditions:

For our full terms and conditions please visit our website - www.intalite.co.uk/terms-conditions

INTALITE UK
148 - 154 Merton High Street;
London, SW19 1AZ, UK
Tel: +44 (0)20 8542 1471
Fax: 0870 4211 763
www.intalite.co.uk
sales@intalite.co.uk



V002-11-2019

www.intalite.co.uk