

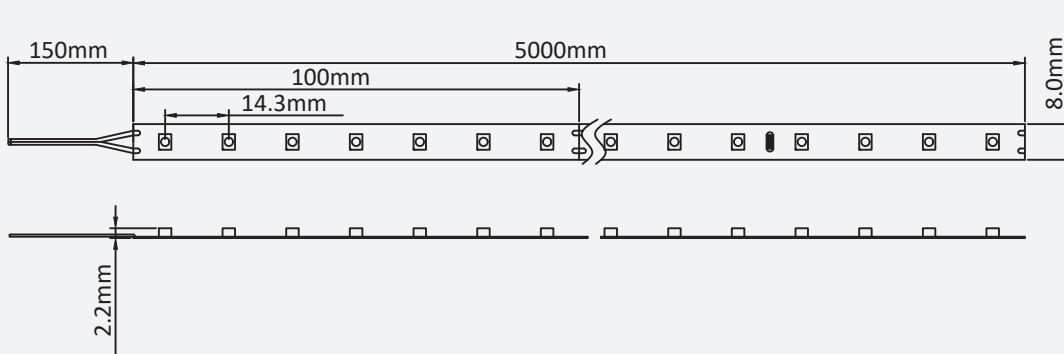
4.8 W/m

Single colour LED strip 3528 chip

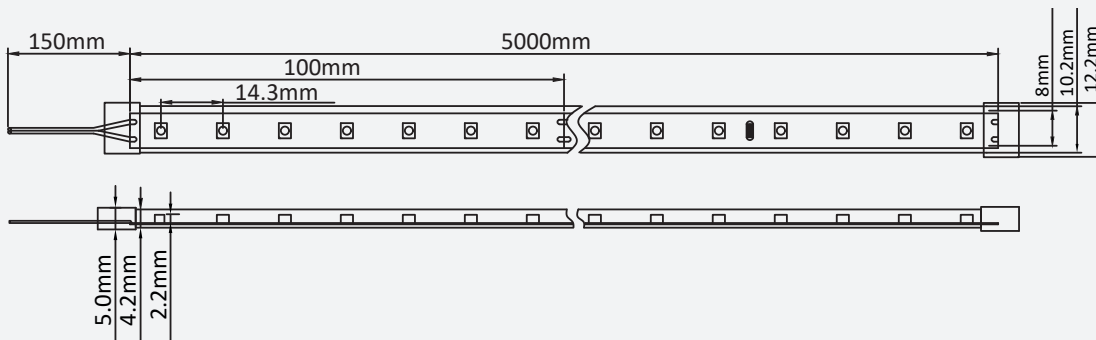


LST-1

Technical drawing



IP20



IP65

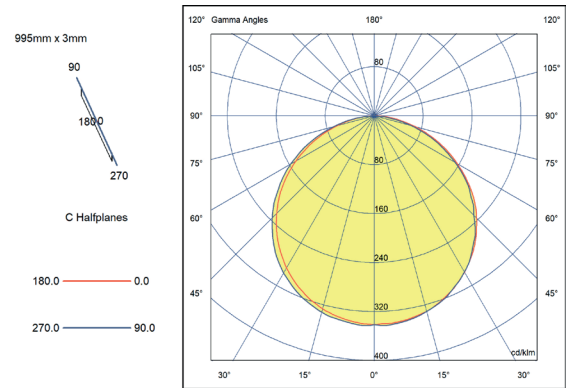
4.8 W/m

Single colour LED strip 3528 chip

Technical specification

Max Wattage	4.8 W/m
LED Chip	SMD 3528
LEDs per meter	70LEDs
Construction	PCB
IP rating	IP20 /IP65
Fixture	Self Adhesive (300MP)
Voltage	24V
Length	5m
Cut	Every 100mm
Colour Rendering Index	Ra > 90
Beam Angle	120°
Energy Efficiency Rating	A+
Estimated Life	50.000 hours
Operating temperature	-20~+45°C
Maximum run length	15m

Polar diagram



Note

For compatibility of LED strip with aluminium profile, please refer to the compatibility chart in our catalogue or on our website:
www.intalite.co.uk/compatibilitychart

For power consumption of LED strip and choosing appropriate driver, please refer to power consumption chart in our catalogue or on our website:
www.intalite.co.uk/powerconsumptionchart

Product codes

Product Code	IP Rating	CCT	Lumens/m	Lumens/W
LST-1WW27K	IP20	2700K	394 lm	82 lm/W
LST-1WW30K	IP20	3000K	408 lm	85 lm/W
LST-1CW	IP20	4000K	480 lm	95 lm/W
LST-1B	IP20	Blue	93lm*	18 lm/W
LST-1IPWW27K	IP65	2700K	374 lm	77 lm/W
LST-1IPWW30K	IP65	3000K	395 lm	82 lm/W
LST-1IPCW	IP65	4000K	403 lm	83 lm/W
LST-1IPDL	IP65	6500K	410 lm	85 lm/W
LST-1IPB	IP65	Blue	85lm*	17 lm/W

* The Blue lumens value has been calculated using a mcd (millicandela) to lumens converter.

Note: The lumen data shown are typical lumen values tested and verified by a European independently accredited test house.

Guarantee:

All LED and electrical components carry a 5 year electrical guarantee, All lamps have their own average life span. We recommend all products are installed by NICEIC / registered electrical contractors, failure to do so will result in any guarantee becoming void.

Full Terms & Conditions:

For our full terms and conditions please visit our website - www.intalite.co.uk/terms-conditions

INTALITE UK
 148 - 154 Merton High Street;
 London, SW19 1AZ, UK
 Tel: +44 (0)20 8542 1471
 Fax: 0870 4211 763
www.intalite.co.uk
sales@intalite.co.uk