

## 30W Standard LED Driver

Constant Voltage IP67 24VDC

# LD-IP30/24



### Technical Specification

Order Code		LD-IP30/24
Output	Rated Power	30W
	Rated Current	1.25A
	Output Voltage	24V DC
	Voltage Tolerance	±0.5V
	Input	Voltage Range
Frequency Range		47~63Hz
Efficiency (Typ)		84%
Power Factor (Typ)		≥ 0.65
AC Current (Typ)		0.22A
Inrush Current (Max)		30A Max (50% Ipeak Twidth=485µs) 230VAC
Protection		Overload
	Short circuit	Recovers automatically after condition is removed
Environment	Working Temp	-30~+50°C
	Working Humidity	20~90%RH, non-condensing
	Ingress Protection	IP67 waterproof
	Storage Temp / Humidity	-40~+80°C, 10~95%RH
Safety & EMC	Safety Standards	EN61347-1; EN61347-2-13,SELV, IP67 approved
	Withstand Voltage	I/P-O/P:3KVAC; I/P-FG:3KVAC; O/P-FG:0.5KVAC
	Isolation Resistance	I/P-O/ P:150MΩ / 500VDC / 25°C / 70%RH
	EMC Emission	EN 55015:2013
	EMC Immunity	EN 61547:2009

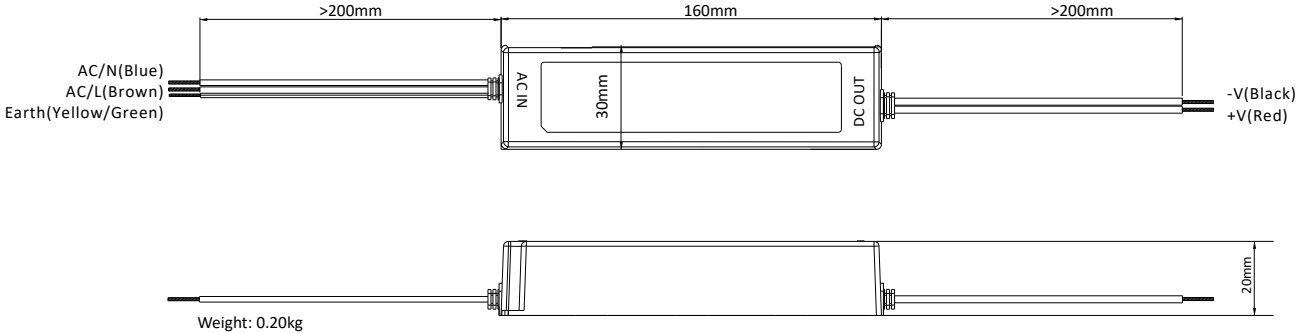
To calculate the maximum number of drivers per mcb the following calculation can be applied:  
 Number for drivers= Ipeak (breaker)/ I surge (driver).

Consult breaker manufacturer for guidance on circuit breakers for direct current applications.

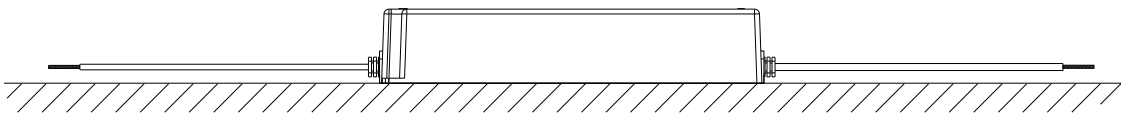
## 30W Standard LED Driver

Constant Voltage IP67 24VDC

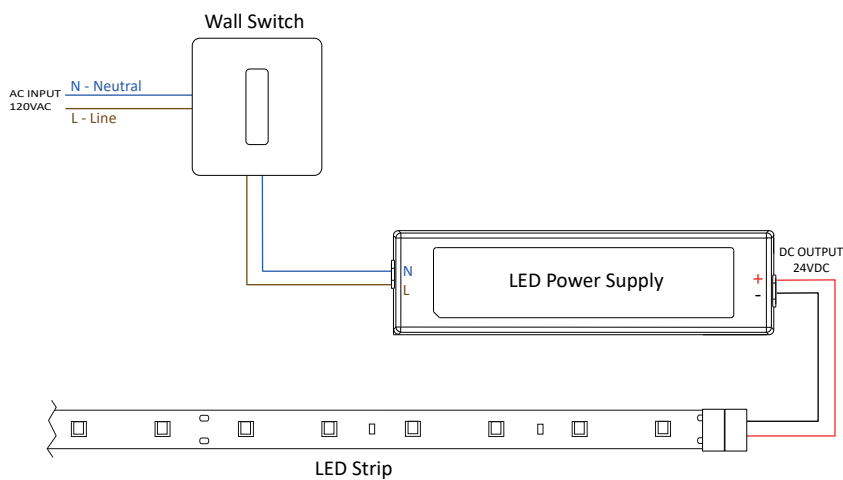
### Dimensions



### Recommended Mounting Position



### Mains Wiring Diagram

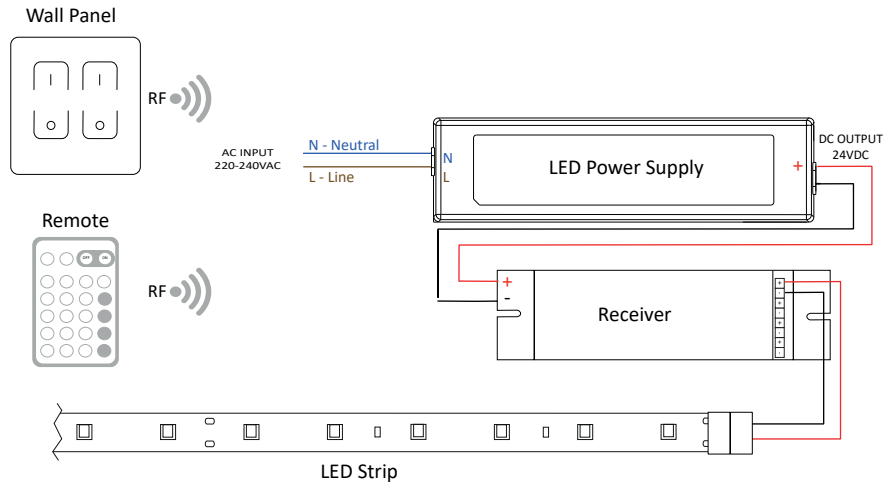


\* Consult switch manufacturer wiring diagram for connections on the switch

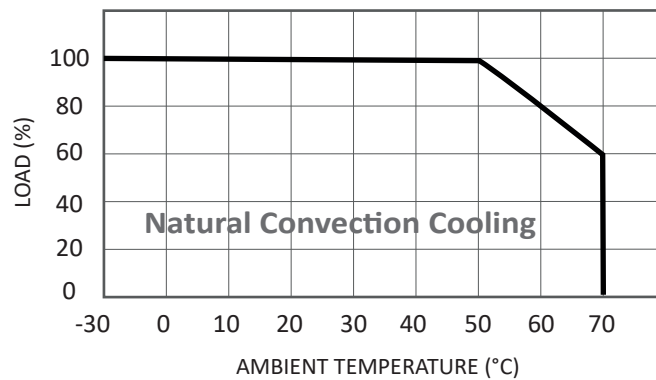
## 30W Standard LED Driver

Constant Voltage IP67 24VDC

### Intalite Controllers Wiring Diagram



### Derating Curve



### Guarantee:

All LED and electrical components carry a 5 year electrical guarantee, All lamps have their own average life span. We recommend all products are installed by NICEIC / registered electrical contractors, failure to do so will result in any guarantee becoming void.

### Full Terms & Conditions:

For our full terms and conditions please visit our website - [www.intalite.co.uk/terms-conditions](http://www.intalite.co.uk/terms-conditions)

INTALITE UK  
 148 - 154 Merton High Street;  
 London, SW19 1AZ, UK  
 Tel: +44 (0)20 8542 1471  
 Fax: 0870 4211 763  
[www.intalite.co.uk](http://www.intalite.co.uk)  
[sales@intalite.co.uk](mailto:sales@intalite.co.uk)