

# 5 Channel DMX Decoder

for Single Colour, Tunable White, RGB, RGBW and RGBCCT LED strip

# INTALED

## DIM-DMX5CH



### Product Description

The Intaled 5 channel DMX decoder can control single colour, tunable white, RGB, RGBW and RGBCCT LED Strip. The product is equipped with an OLED screen interface for easy setup. It can be used as a DMX master with smooth PWM frequency of up to 8000Hz and a DMX amplifier to extend the DMX signal.

### Wall panel Technical Specification

Controller	DIM-DMX5CH
Type	DMX decoder
Input Voltage	12-24V AC
Current	5x6A
Output	5x(72-144)W
Note	Constant Voltage
DMX Output Signal	DMX512
Dimension (WxLxH)	170 x 86 x 39.5mm

### Features

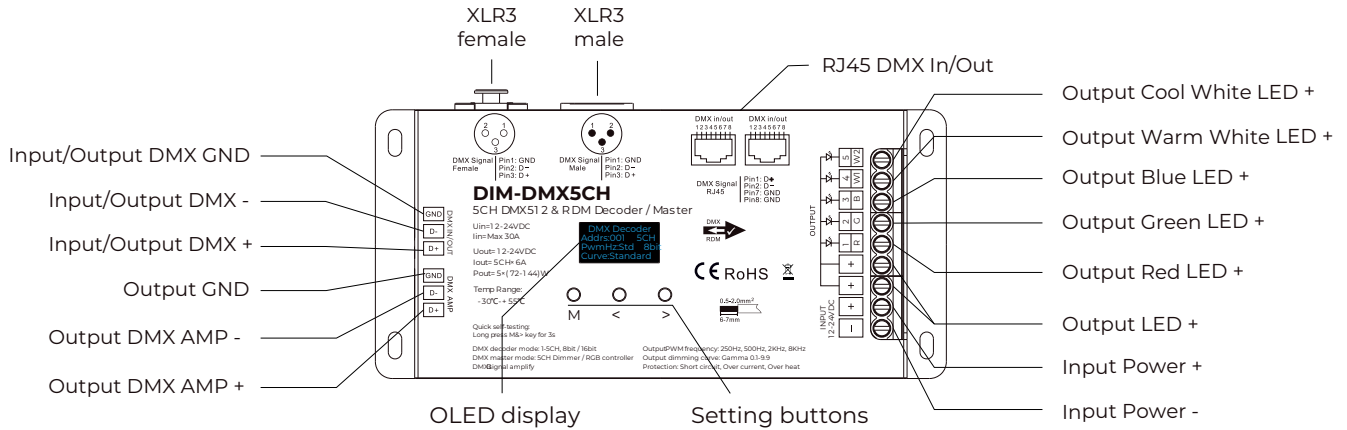
- 1/2/3/4/5 DMX channels (Single Colour, Tunable White, RGB, RGBW and RGBCCT)
- DMX512 compliant control interface
- Master & Decoder mode, RDM function
- Smooth PWM dimming frequency (250Hz-8000Hz)
- 8/16 bit Decoder mode
- Can work as a standalone RGBCCT controller with 25 dynamic play modes, adjustable speed and brightness
- Terminal, XLR3 and RJ45 ports
- Easy control interface with OLED display
- Multiple dimming curves
- Can be used as a DMX amplifier

# 5 Channel DMX Decoder

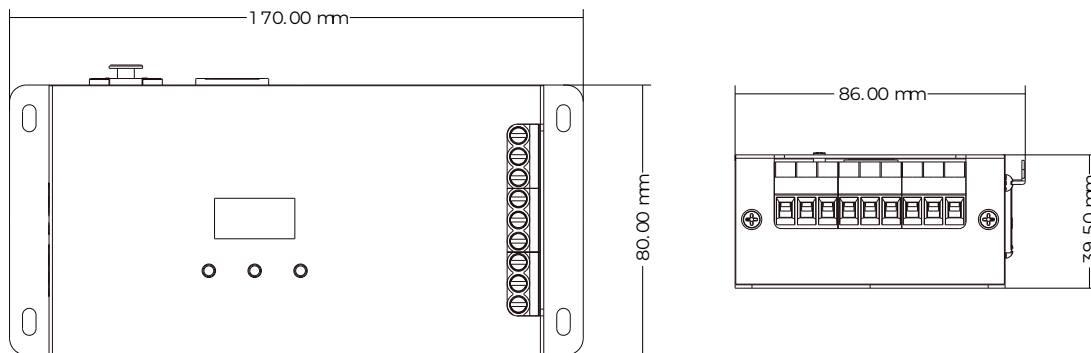
for Single Colour, Tunable White, RGB, RGBW and RGBCCT LED strip



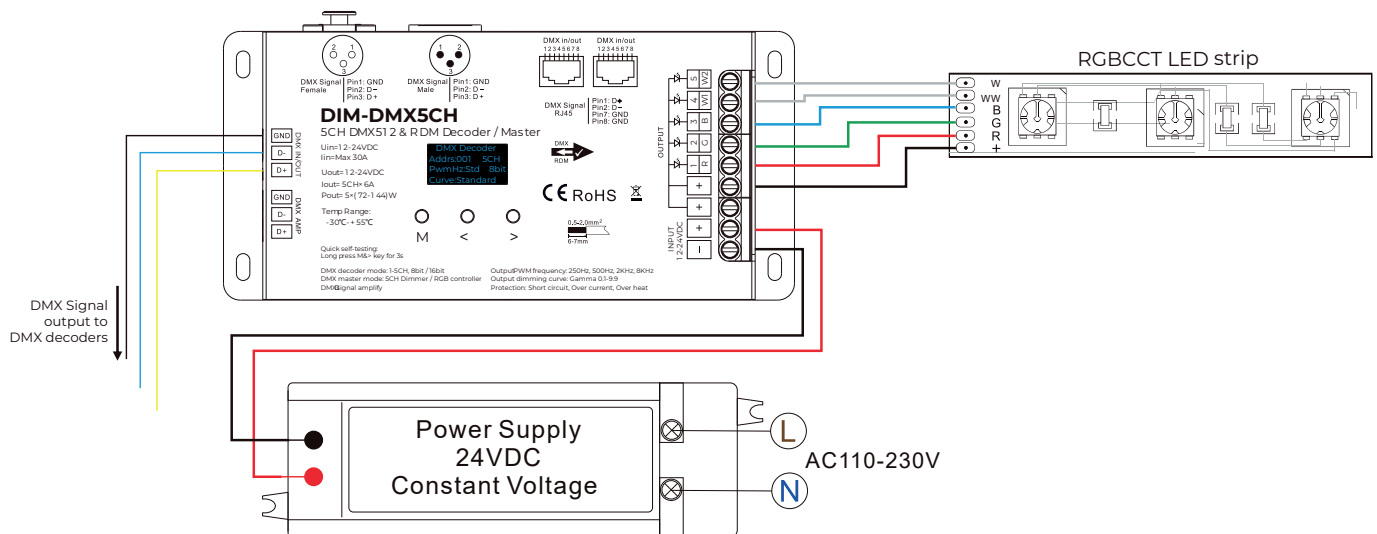
## Controller layout



## Dimensions



## DMX Master wiring diagram

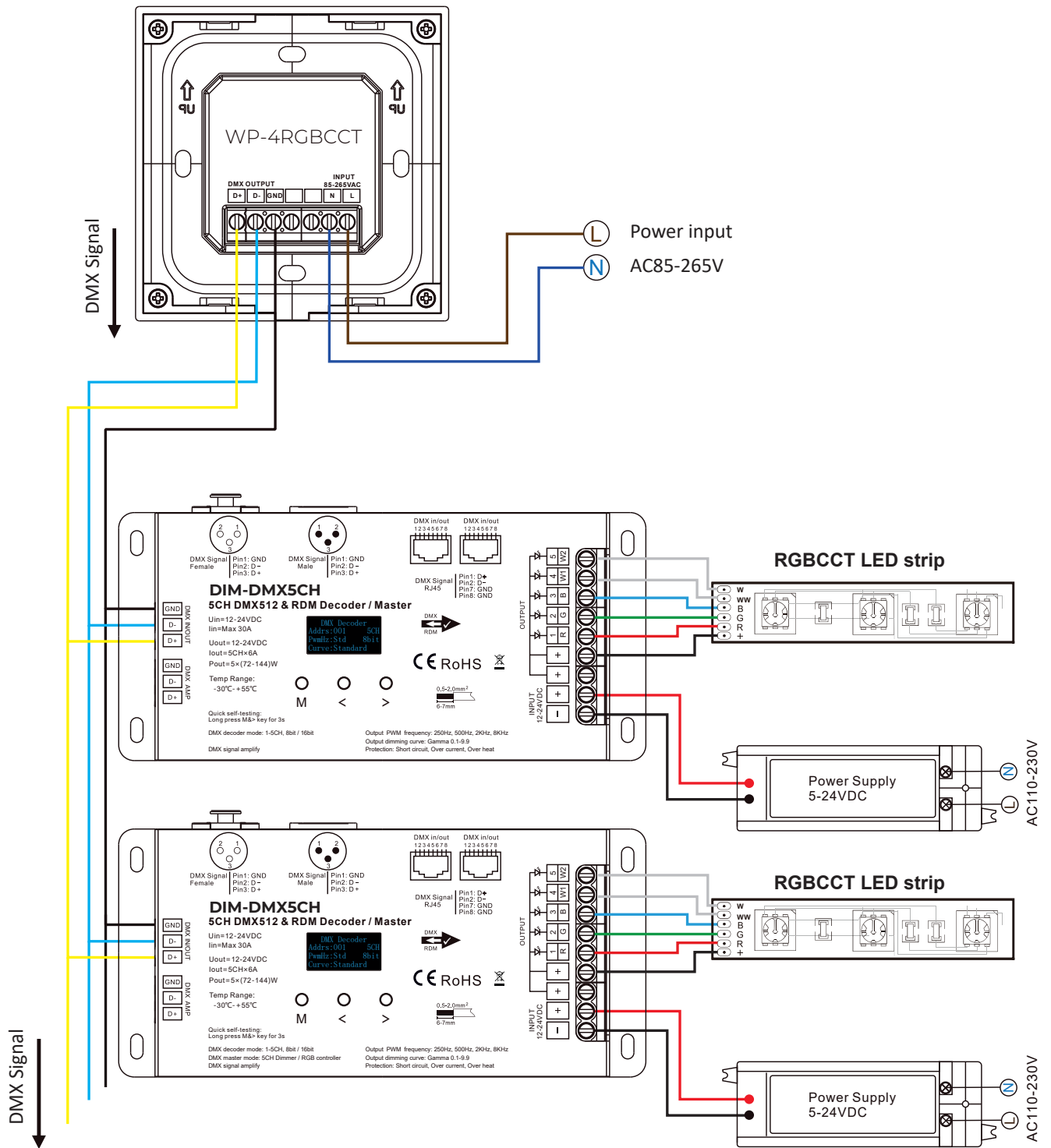


# 5 Channel DMX Decoder

for Single Colour, Tunable White, RGB, RGBW and RGBCCT LED strip



## DMX Decoder wiring diagram



# 5 Channel DMX Decoder

for Single Colour, Tunable White, RGB, RGBW and RGBCCT LED strip

# INTALED

## System parameter setting

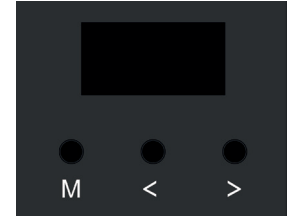
Short press M button to switch between **DMX Decoder mode**, **Stand-alone Dimmer mode** and **Stand-alone RGB** play mode.

Press M button for 2sec or short press < or > to enter parameter setting mode.

While in parameter setting mode, short press M to switch between multiple parameter items, press < or > to change parameters.

Long press M button to save settings and leave parameter setting mode

Long press < or > for 3sec to restore to factory settings



## DMX Decoder mode

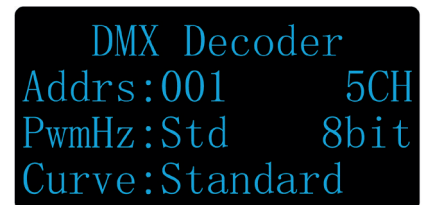
DMX decoder start address:  
**001-999**

DMX Decode mode:  
**1CH** (Single Colour), **2CH** (CCT), **3CH** (RGB),  
**4CH** (RGBW), **5CH** (RGBCCT)

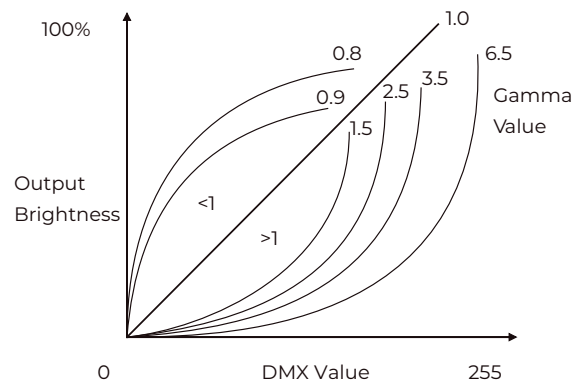
Output PWM frequency:  
**Std** (2kHz), **High** (8kHz), **Mid** (500Hz), **Low** (250Hz)

Decoder mode  
**8bit, 16bit** (use 16bit only if supported by DMX master)

Dimming curve  
**Standard** (Gamma 1.6) \*Recommended  
**Linear**  
**Gamma** 0.1-9.9

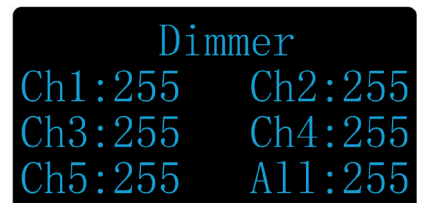


Dimming curve



## Stand-alone Dimmer mode

Ch1 - Ch5 Channel brightness  
Range: **0-255**



# 5 Channel DMX Decoder

for Single Colour, Tunable White,  
RGB, RGBW and RGBCCT LED strip

# INTALED

## Stand-alone DMX RGB play mode

Dynamic RGB modes:  
**25 modes**

Speed:  
**1-10**

Brightness:  
**10%-100%**

Ch4 brightness:  
**0-255**

Ch5 brightness:  
**0-255**

```
RGB Controller
05 RGB jump
Spd: 7  Brt:100%
Ch4:255 Ch5:255
```

### Dynamic RGB mode play list

No	Name	No	Name
01	Static Red+strobe	14	Blue fade
02	Static Green+strobe	15	White fade
03	Static Blue+strobe	16	Red/White gradual
04	Static White+strobe	17	Green/White gradual
05	R/G/B jump	18	Blue/White gradual
06	7 Color jump	19	Red/Yellow gradual
07	R/G/B strobe	20	Red/Purple gradual
08	7 Color strobe	21	Green/Yellow gradual
09	R/G/B gradual	22	Green/Cyan gradual
10	Color gradual	23	Blue/Purple gradual
11	R/G/B fade	24	Blue/Cyan gradual
12	Red fade	25	All loop play
13	Green fade		

# 5 Channel DMX Decoder

for Single Colour, Tunable White, RGB, RGBW and RGBCCT LED strip

# INTALED

**8 bit** Address Setting in various modes when using a single decoder:

Decoder mode 8bit		1CH Single Colour	2CH CCT	3CH RGB	4CH RGBW	5CH RGBCCT
<b>Addresses occupied</b>		1	2	3	4	5
<b>Channel</b>	1	001	001	001	001	001
	2	001	002	002	002	002
	3	001	001	003	003	003
	4	001	002	-	004	004
	5	001	001	-	-	005

**16 bit** Address Setting in various modes when using a single decoder:

Decoder mode 16bit		1CH Single Colour	2CH CCT	3CH RGB	4CH RGBW	5CH RGBCCT
<b>Addresses occupied</b>		2	4	6	8	10
<b>Channel</b>	1	001 002	001 002	001 002	001 002	001 002
	2	001 002	003 004	003 004	003 004	003 004
	3	001 002	001 002	005 006	005 006	005 006
	4	001 002	003 004	-	007 008	007 008
	5	001 002	-	-	-	009 010

# 5 Channel DMX Decoder

for Single Colour, Tunable White, RGB, RGBW and RGBCCT LED strip

# INTALED

## Troubleshoot

Problem	Cause	Corrective
No light	<ul style="list-style-type: none"><li>• No power.</li><li>• Wrong connection or unsecure connection.</li></ul>	<ul style="list-style-type: none"><li>• Check the power.</li><li>• Check the connection.</li></ul>
Wrong Colour	<ul style="list-style-type: none"><li>• Wrong connection of RGB/W wires.</li></ul>	<ul style="list-style-type: none"><li>• Retrace and reconnect RGB/W wires.</li></ul>
Uneven intensity between front and rear of the strip, with voltage drop	<ul style="list-style-type: none"><li>• Output cable is too long.</li><li>• Cable diameter is too small.</li><li>• Overload beyond driver capability.</li><li>• Overload beyond receiver capability.</li></ul>	<ul style="list-style-type: none"><li>• Reduce cable or loop supply.</li><li>• Change to a thicker cable.</li><li>• Replace with a suitable higher power driver.</li><li>• Add a power repeater.</li></ul>

Note! We recommend using the controller when controlling all lighting as a single zone. Please note that with the DIM-DMX1CH(N) and DIM-DMX5CH one can use the manual button to switch ON the connected LED strips and check the operation by cycling through the various modes.

- When expanding your lighting always try and use a signal repeater (PR-RGB) where possible.
- If using DMX over 55mtrs it is recommended to use a DMX amplifier for longer distances.
- If the recoil effect occurs because of the long DMX signal line or bad DMX line quality, please try to connect 0.25W 90-120Ω terminal resistor at the end of the DMX signal line.

## Safety

- Products must be installed and serviced by qualified electrician.
- Please ensure the receiver is mounted in a water proof enclosure if installed in an outdoor environment, avoiding metallic enclosures.
- Always ensure products are mounted in areas with adequate ventilation to avoid overheating.
- Please ensure outputs of any power suppliers used in conjunction with this product comply with its working voltage.
- Never install product whilst connected to power and double check connections before switching on to avoid short circuits.

INTALITE UK  
148 - 154 Merton High Street;  
London, SW19 1AZ, UK  
Tel: +44 (0)20 8542 1471  
Fax: 0870 4211 763  
www.intalite.co.uk  
sales@intalite.co.uk

## Guarantee:

All LED and electrical components carry a 5 year electrical guarantee, All lamps have their own average life span. We recommend all products are installed by NICEIC / registered electrical contractors, failure to do so will result in any guarantee becoming void.

## Full Terms & Conditions:

For our full terms and conditions please visit our website - [www.intalite.co.uk/terms-conditions](http://www.intalite.co.uk/terms-conditions)

