

Wi-Fi to RF Converter

for R3C, R4C, R5C series receivers

INTALED

LR-WIFI



Product Description

The LR-WIFI is a compact Wi-Fi to RF converter designed to control R3C, R4C and R5C receivers. One can now control single colour, tunable white, RGB, RGBW and RGBCCT led strips for up to 16 zones independently or simultaneously from the mobile app via Wifi.

Converter Technical Specification

Controller	LR-WIFI
Type	WIFI converter
Input Voltage	5-24V DC
Input type	Micro USB or DC jack (5.5mm x 2.5mm) (DC adapter not included)
Operation frequency	2.4GHz
Wireless standard	802.11 b/g/n
Max receiver distance	30m
Working temperature	-30°C~55°C
Dimension (WxLxH)	72 x 72 x 25mm

Features

- Converts WiFi signal to RF
- Easy control of single colour, tunable white, RGB/RGBW and RGBCCT LED strips for up to 16 zones independently or simultaneously
- Free mobile app available for iOS app Store and Google Play store
- User friendly app interface
- No additional remote control required
- Save lighting functions and preferences with scene interface
- Sync LED strips with music
- Micro USB cable included

Compatible receivers Technical Specification

Order code	R3C	R4C	R5C
Channels	3 (RGB)	4 (RGBW)	5 (RGBCCT)
Type	RF receiver	RF receiver	RF receiver
Input Voltage	12-24V DC	12-36V DC	12-24V DC
Current	3x4A	4x5A	5x3A
Output	3X(48-96W)	4X(60-180W)	5X(36-72W)
Note	Constant voltage	Constant voltage	Constant voltage
Dimension	33x97x18mm (WxLxH)	45x175x27mm (WxLxH)	38x114x20mm (WxLxH)



R3C



R4C



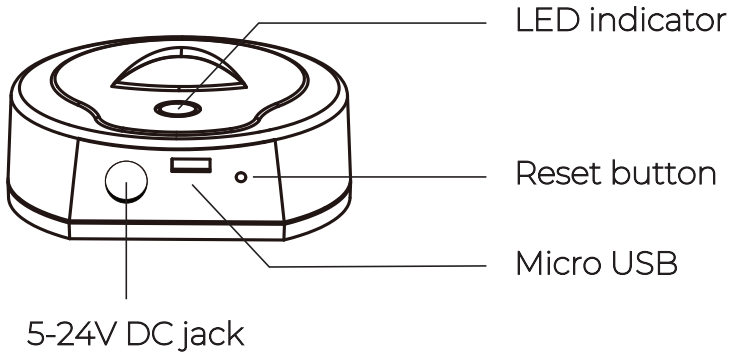
R5C

Wi-Fi to RF Converter

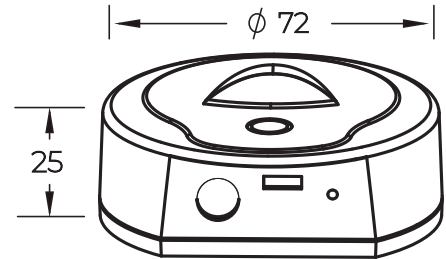
for R3C, R4C, R5C series receivers

INTALED

Controller layout



Dimensions



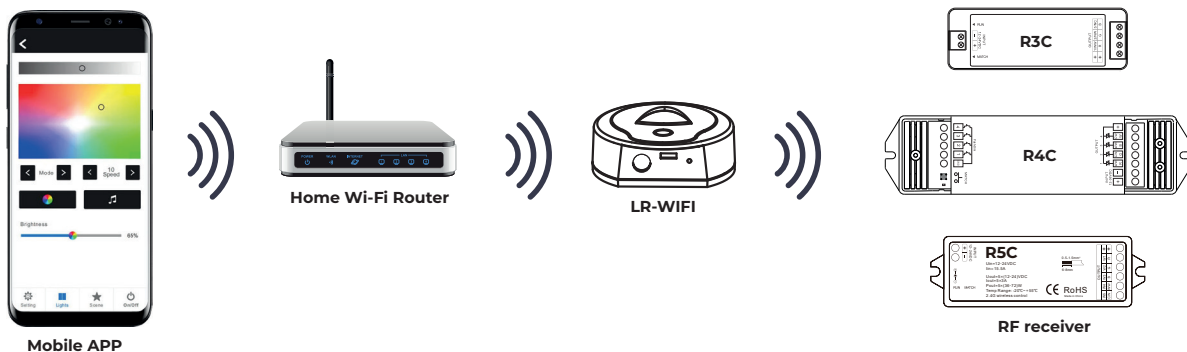
Factory reset: Press and hold reset button for more than 10 sec until the LED indicator turns red.

Converter connection diagram

Method 1: Connecting directly from your smartphone to the converter



Method 2: Connecting your smartphone to the converter via your home Wi-Fi router

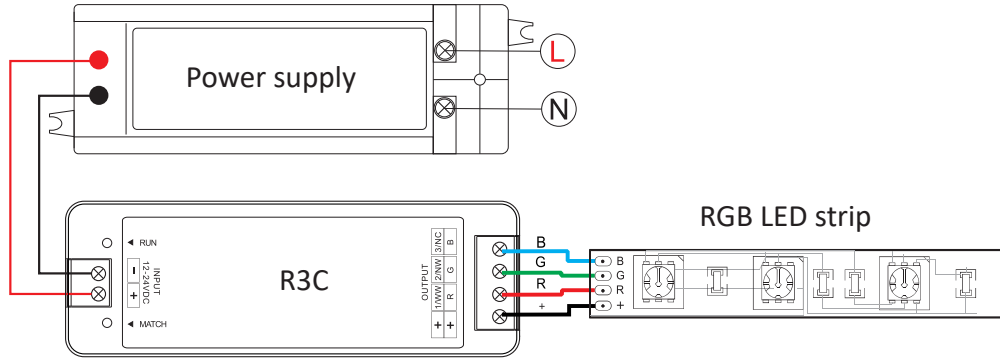


Wi-Fi to RF Converter

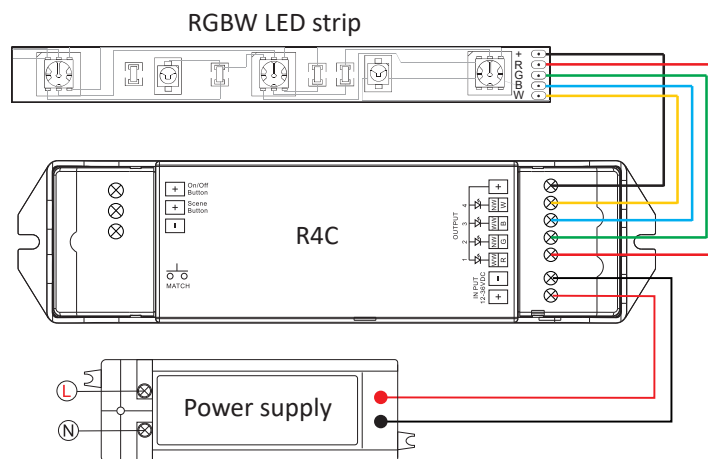
for R3C, R4C, R5C series receivers

INTALED

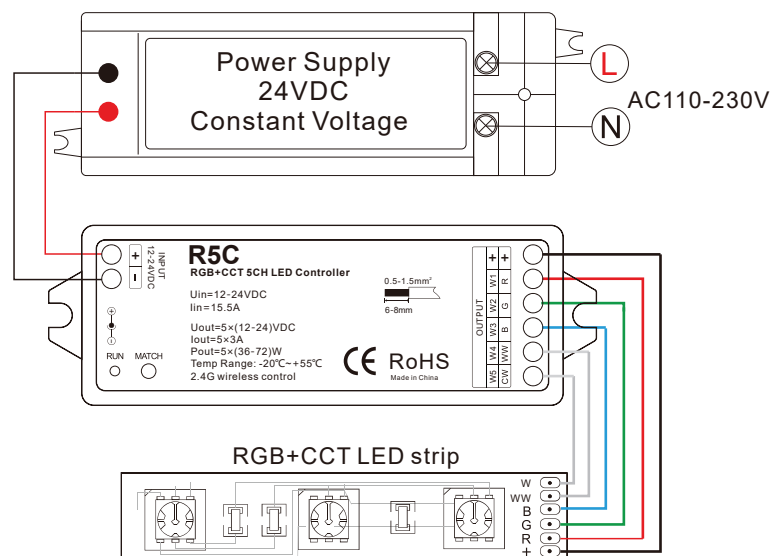
RGB Receiver wiring diagram



RGBW Receiver wiring diagram



RGCCT Receiver wiring diagram



Wi-Fi to RF Converter

for R3C, R4C, R5C series receivers

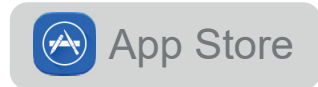
INTALED

Installing the mobile APP

Go to the Android Google Play store or iOS Apple Store, search for the **SkySmart** app. You can also scan the QR code below to quickly find the app.



SkySmart

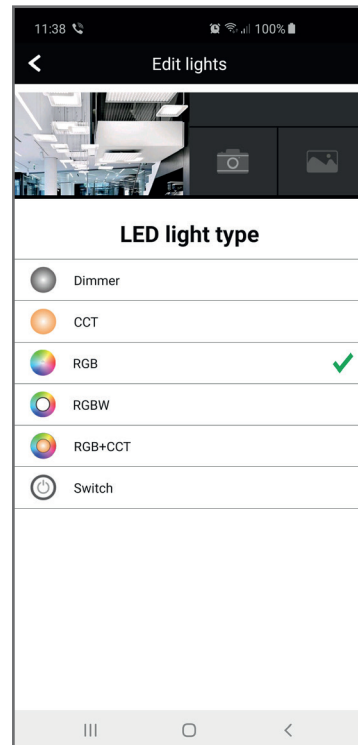
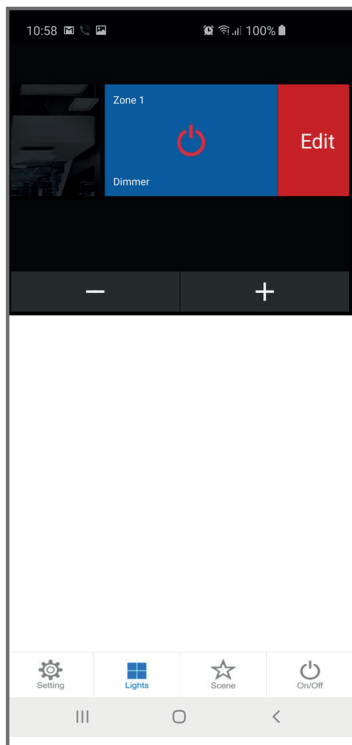


Connecting smartphone to the converter

Method 1: Connecting directly from your smartphone to the converter

1). Search and connect to the "SkySmart_xxxxxx" network in the Wi-Fi network settings of your smartphone.

2). Open the SkySmart app. You will see that Zone 1 has already been created. Swipe left on Zone 1 to edit the receiver type. Choose between Single Colour, Tunable White, RGB, RGBW, RGB+CCT. Additionally you can edit Zone name and add a photo for chosen zone.



Note: Android OS: If experiencing connection problems, make sure to turn off "Auto switch to mobile data" option in your Wi-Fi preferences.

Wi-Fi to RF Converter

for R3C, R4C, R5C series receivers

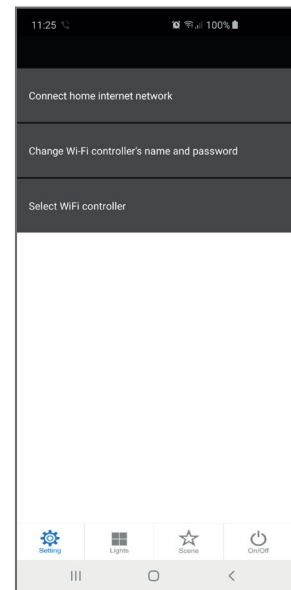
INTALED

Method 2: Connecting your smartphone to the converter via your home WI-Fi router

After you have connected your smartphone directly to the converter (**Method 1**), you can set it up to connect via your home router for easier use. This will allow any smartphone or tablet that is already on your home network to use the SkySmart app and control the LED strips.

1). Make sure you have connected your smartphone to the converter directly using **Method 1**.

2). Go to **Setting > Connect home internet network**



3). Choose and select the name of your home network.

4). Enter the password of your home network and press OK.
You should see message **Set OK**.

5.) Restart the app and the converter.

Now you can connect your smartphone back to your home network and start using the mobile app.



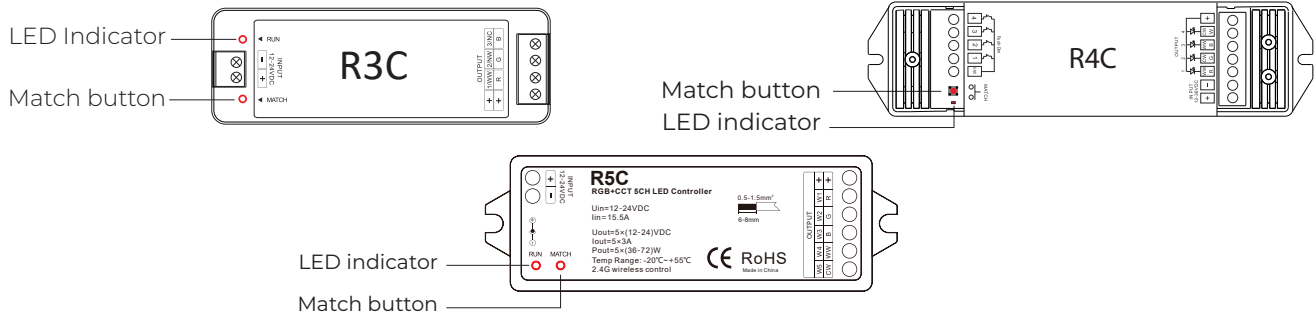
Wi-Fi to RF Converter

for R3C, R4C, R5C series receivers

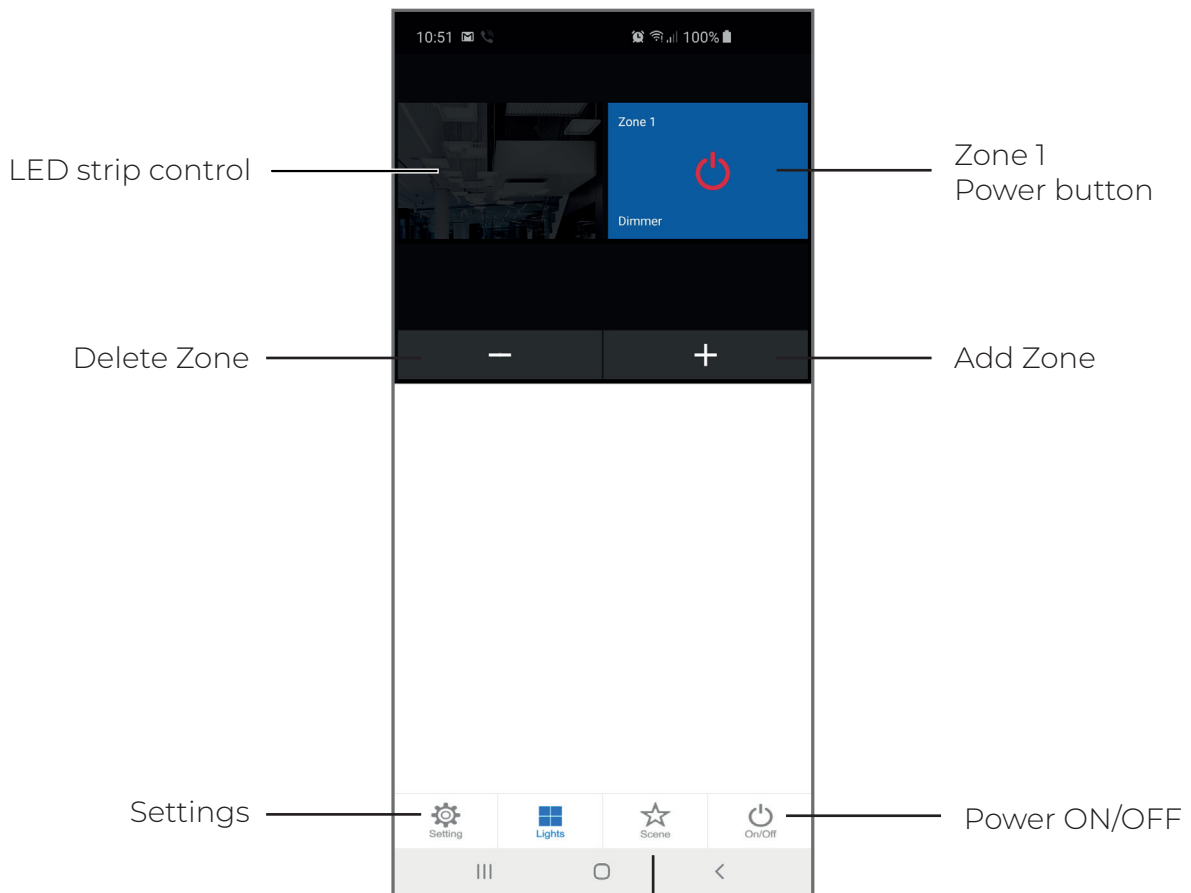
INTALED

Synchronising the mobile app and the receiver

1) Ensure the receiver has power. Press the match button on the receiver. LED Indicator will start flashing slowly.



4) Press the **Zone 1 Power button** within 5 seconds after pressing the match button on the receiver. The LED indicator on the receiver will flash rapidly 5 times and then stop flashing. The app is now synchronised with the receiver. Press on the photo to control the LED strip.



Note: If you want to control multiple LED strips simultaneously, create a dedicated Zone and sync all the LED strips to that Zone.

Wi-Fi to RF Converter

for R3C, R4C, R5C series receivers

INTALED

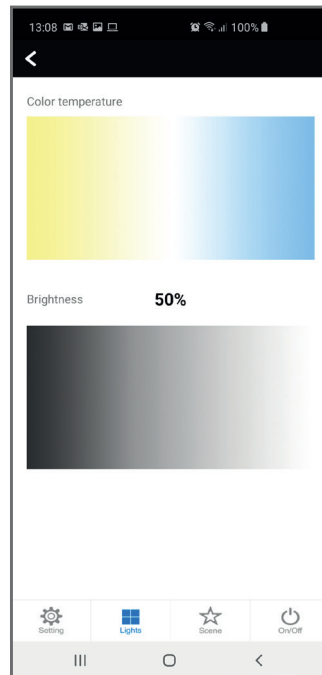
Controlling the LED strip

Depending on the type of light there are 5 different layouts for controlling LED strips (Single Colour, Tunable White, RGB RGBW, RGBCCT).

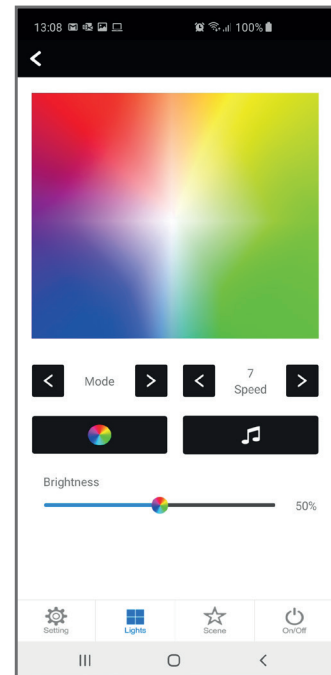
Change the brightness or colour by touching the slider or colour spectrum.



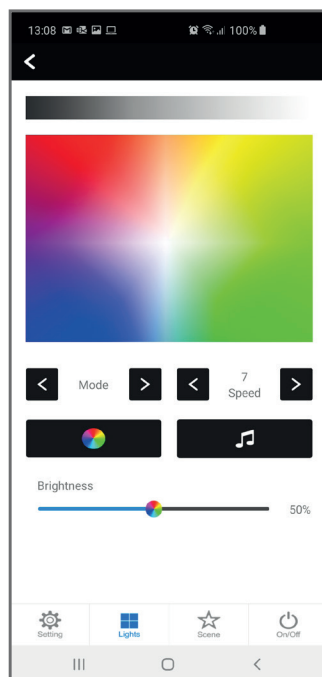
Single Colour



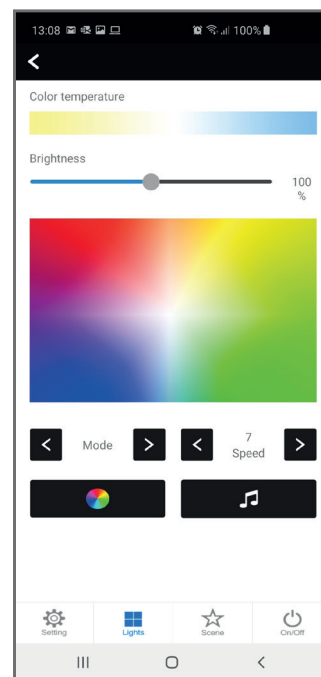
Tunable White



RGB



RGBW



RGBCCT

Wi-Fi to RF Converter

for R3C, R4C, R5C series receivers

INTALED

Troubleshoot

Problem	Cause	Corrective
No light	<ul style="list-style-type: none">• No power.• Wrong connection or unsecure connection.	<ul style="list-style-type: none">• Check the power.• Check the connection.
Wrong Colour	<ul style="list-style-type: none">• Wrong connection of RGB/W wires.	<ul style="list-style-type: none">• Retrace and reconnect RGB/W wires.
Uneven intensity between front and rear of the strip, with voltage drop	<ul style="list-style-type: none">• Output cable is too long.• Cable diameter is too small.• Overload beyond driver capability.• Overload beyond receiver capability.	<ul style="list-style-type: none">• Reduce cable or loop supply.• Change to a thicker cable.• Replace with a suitable higher power driver.• Add a power repeater.

Safety

- Products must be installed and serviced by qualified electrician.
- Please ensure the receiver is mounted in a water proof enclosure if installed in an outdoor environment, avoiding metallic enclosures.
- Always ensure products are mounted in areas with adequate ventilation to avoid overheating.
- Please ensure outputs of any power suppliers used in conjunction with this product comply with its working voltage.
- Never install product whilst connected to power and double check connections before switching on to avoid short circuits.

Guarantee:

All LED and electrical components carry a 5 year electrical guarantee, All lamps have their own average life span. We recommend all products are installed by NICEIC / registered electrical contractors, failure to do so will result in any guarantee becoming void.

Full Terms & Conditions:

For our full terms and conditions please visit our website - www.intalite.co.uk/terms-conditions

INTALITE UK
148 - 154 Merton High Street;
London, SW19 1AZ, UK
Tel: +44 (0)20 8542 1471
Fax: 0870 4211 763
www.intalite.co.uk
sales@intalite.co.uk