
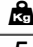


 The luminaire should be positioned so that prolonged staring into the luminaire at a distance closer than 0.58m is not expected

Power (W)	Standard 	DALI 	Standard & P-Cell 	AstroDim 	Windage - Surface (m ²)
60	5	5	5	5	0.20m ²
45	5	5	5	5	0.20m ²
30	5	5	5	5	0.20m ²

1

Loosen, x4

2

3


x4

4

All Standard / AstroDim Range: ⚡ 3 x 1.5mm² (max)

Dali Range: ⚡ 5 x 1.5mm² (max)

5

 **Warning!**

Do not remove the cover at this location shown

6

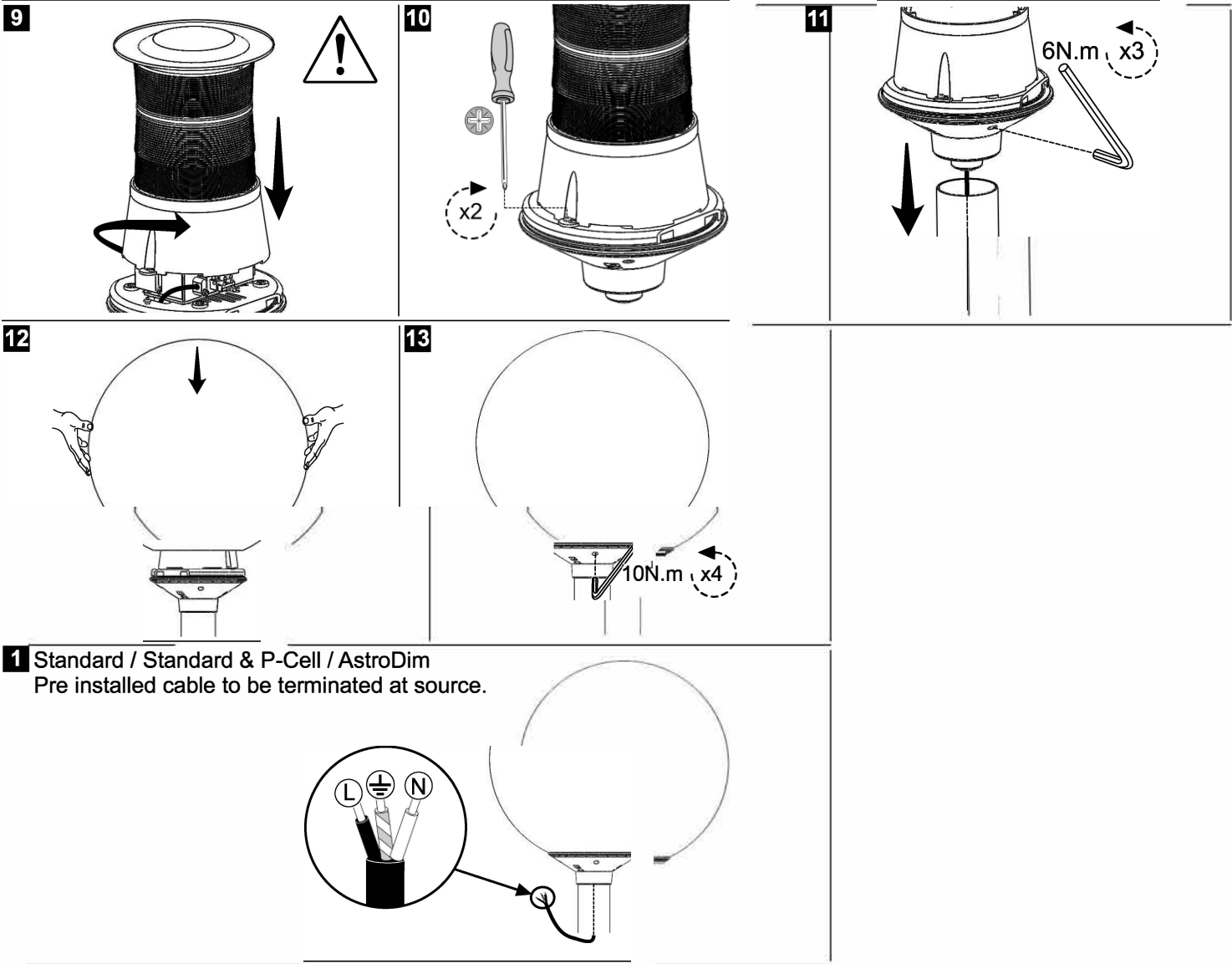
Correct location for removal of cover

Loosen, x2


7

8a Standard / Standard & P-Cell / AstroDim

8b Dali



- ⚠
- Ensure no cables / wires are trapped during luminaire assembly.
 - Care must be taken when removing / fitting luminaire refractor to prevent LED damage.

 **Operation & Maintenance**
Failed light source should be replaced promptly or the circuit switched off to avoid possible damage to control gear.

Important - Safety
Before carrying out any servicing on these luminaires, ensure that the mains supply is fully isolated.

Disconnect the luminaire before insulation testing of the installation.

	Circuit Breaker Type 10A	16A (B)	25A (B)
Standard Luminaire	7	12	20

 $t_a -20^{\circ}\text{C} \dots 40^{\circ}\text{C}$



The light source contained in this luminaire shall only be replaced by the manufacturer or his service agent or a similar qualified person.



Example: IP junction box / terminal block. If in doubt seek advice from qualified electrician.

i1 Preparation of the ends of conductors: Wire ends striped to the length 7mm - 8mm. Add ferrules (for 1.5mm² mini wires) to the wires if they are stranded.

i2 Terminal block specified:

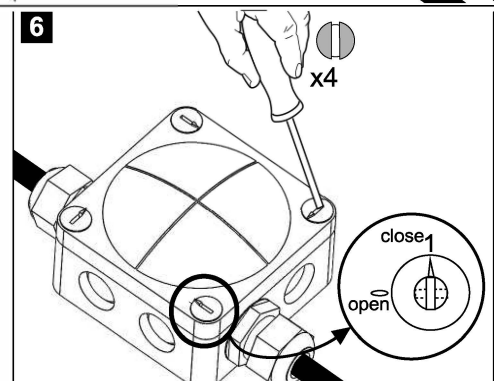
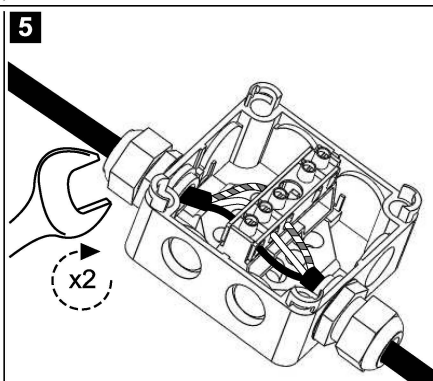
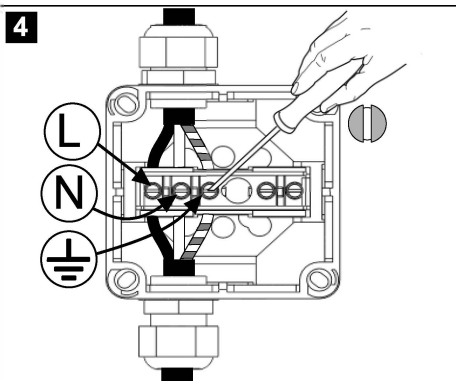
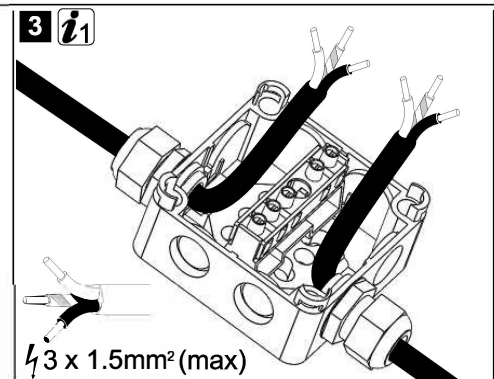
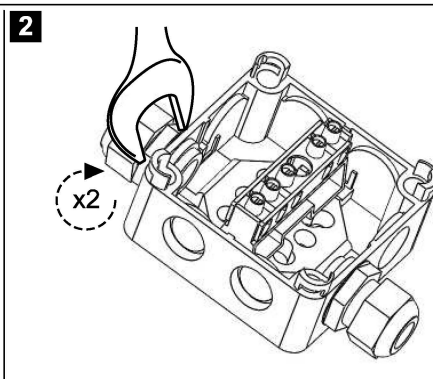
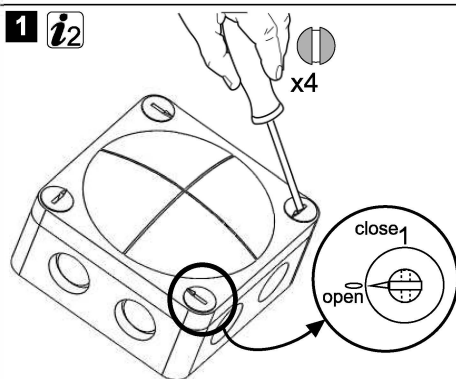
- Terminal block specified:
- The type of terminals: Screw.
- Number of terminals: 3
- Rated voltage: 450V
- Rated connecting capacity: 16A to EN60598 and 24A to EN60998



Example:

Box: WISKA COMBI 308/5/S

Cable Gland x2: WISKA ESKVM20



Example: Terminal block fused cut out. If in doubt seek advice from qualified electrician.

i1 Preparation of the ends of conductors: Wire ends striped to the length 7mm - 8mm. Add ferrules (for 1.5mm²) to the wires if they are stranded.

i3 Terminal block specified:

- Designed and tested in accordance with BS 7654:1997 and IEC/EN 60947-Part 1
- Detachable terminal block in extension trough facilitates termination of heavy duty cables
- Electroplated brass terminal blocks accept conductors up to 25mm²
- Number of terminals: 3
- The type of terminals: Screw
- Rated voltage: 230V
- Rated connecting capacity: 25A

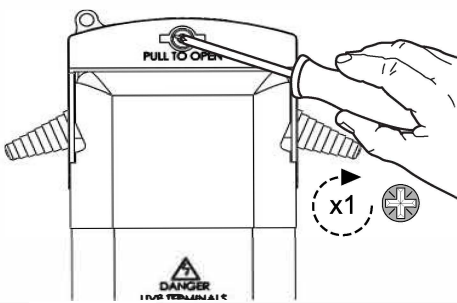


Example:

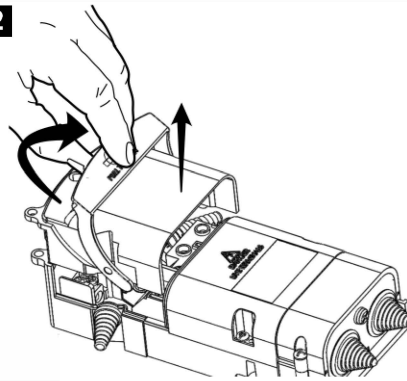
Lucy zodion - Titan2

Single and double pole cut outs.

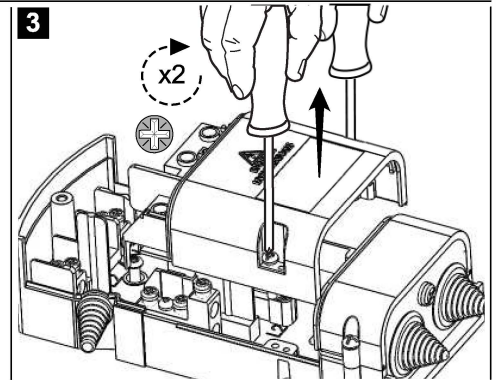
1 **i3**



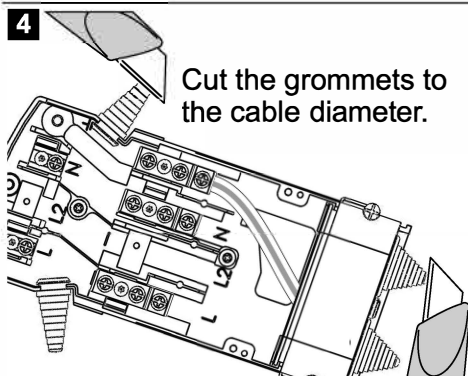
2



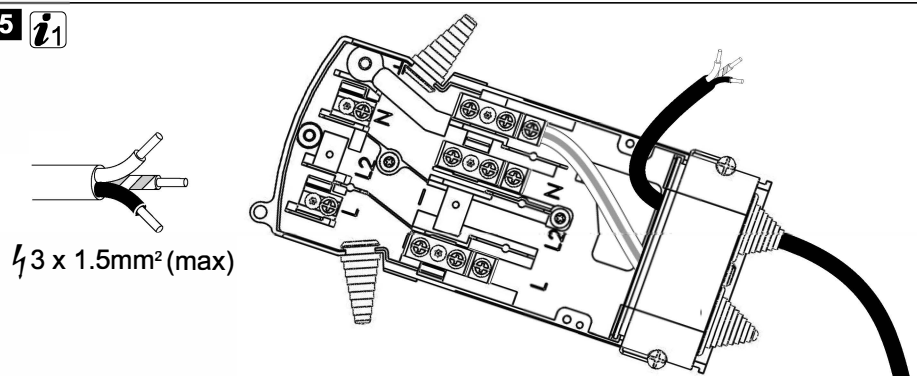
3



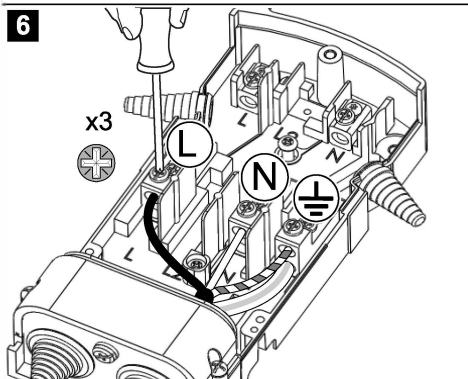
4



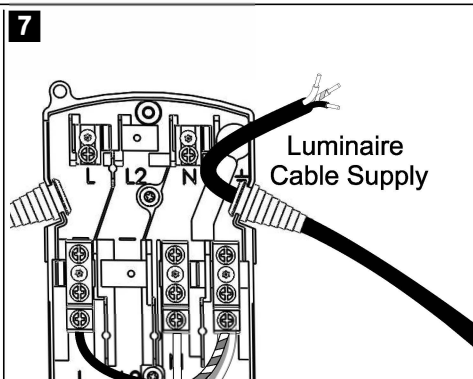
5 **i1**



6



7



8

