


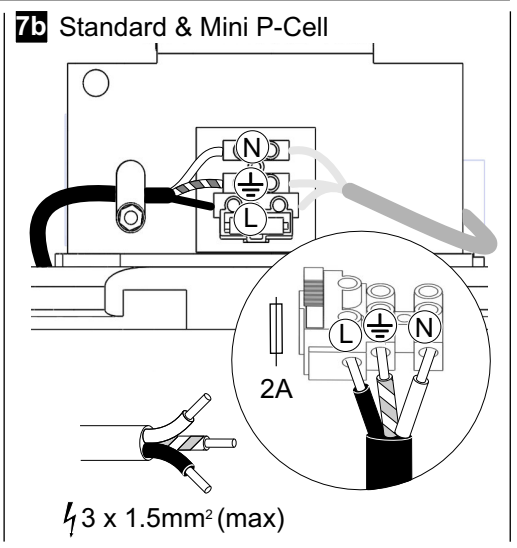
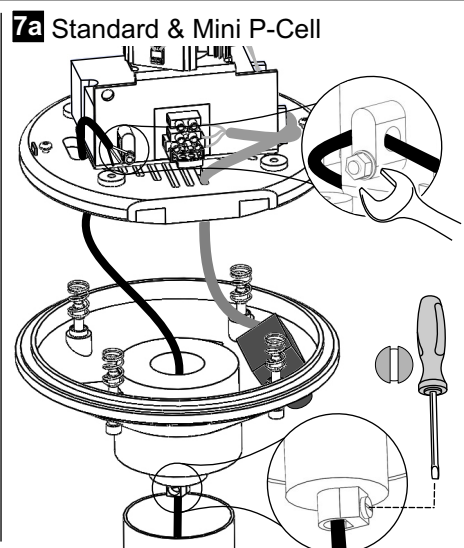
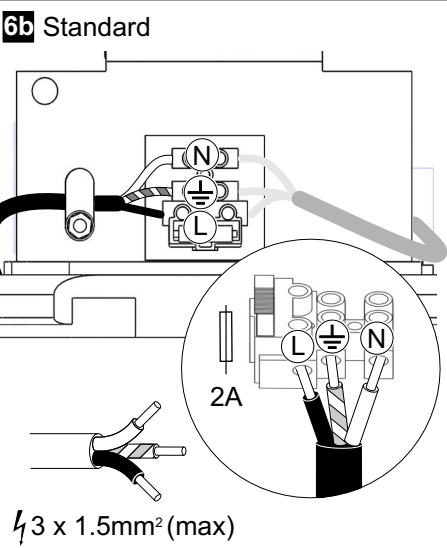
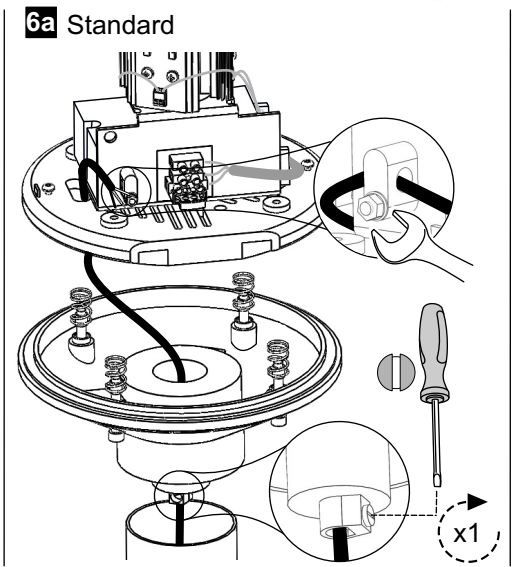
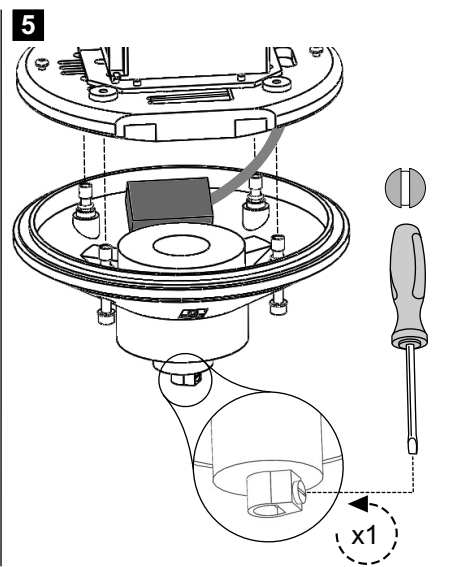
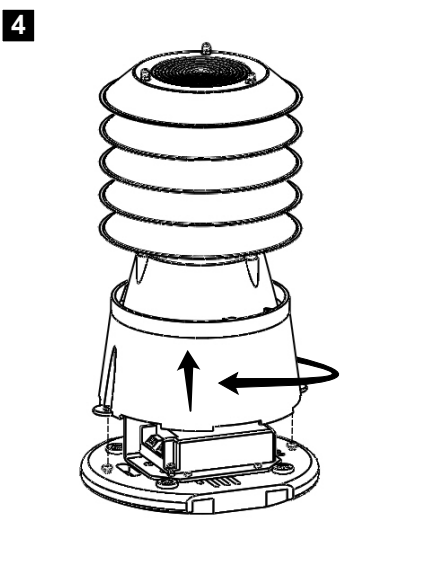
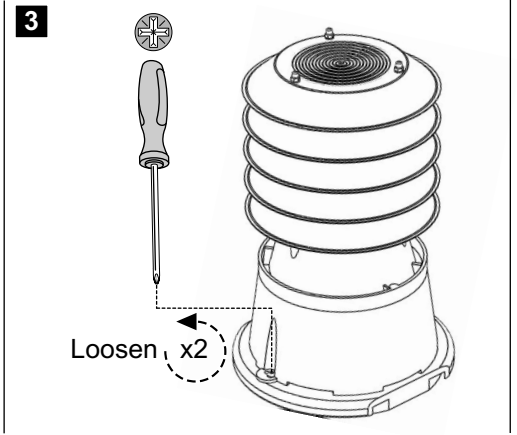
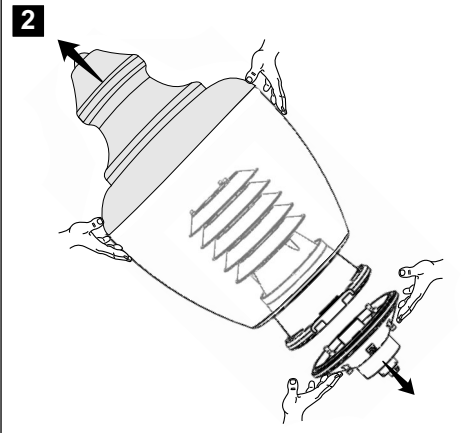
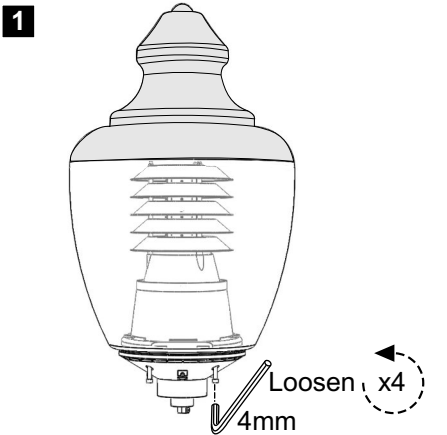
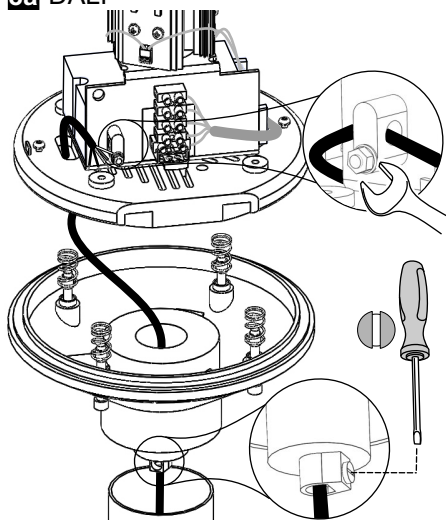


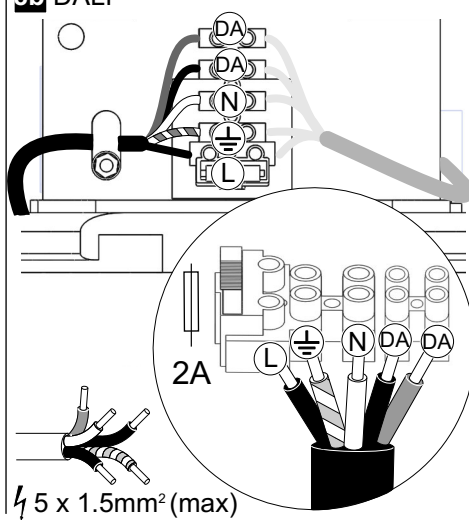
Power (W)	Standard 	DALI 	Mini P-Cell 	Windage - Surface (m ²)
60	5	5	5	0.16m ²
45	5	5	5	0.16m ²
30	5	5	5	0.16m ²



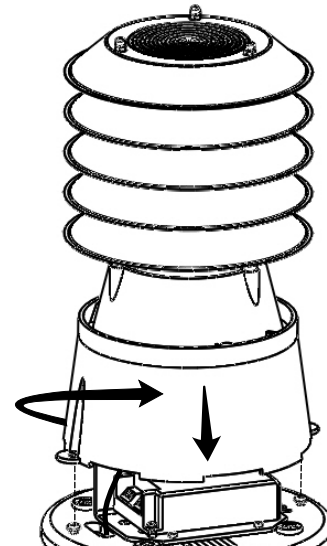
8a DALI



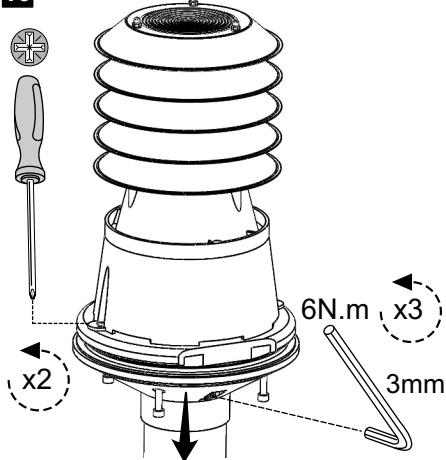
8b DALI



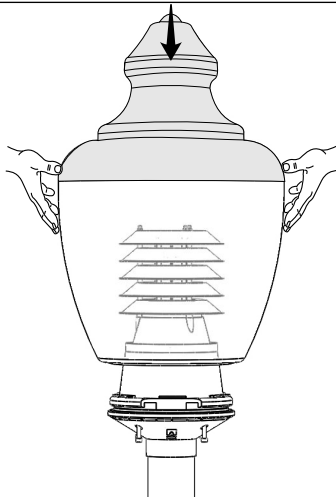
9



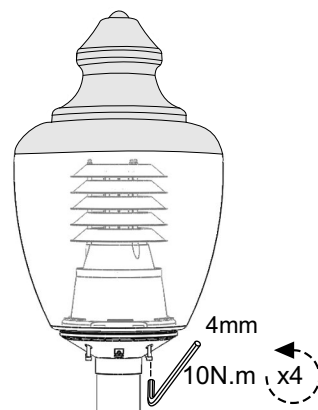
10



11

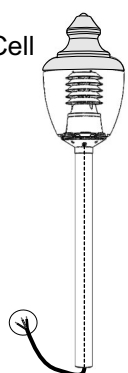
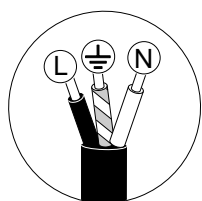


12

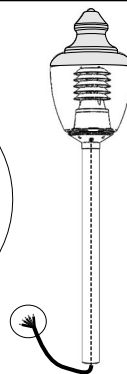
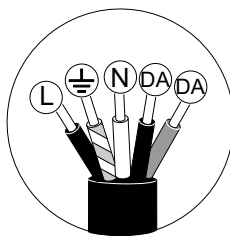


Option B: Pre installed cable to be terminated at source.

1a Standard or Standard & Mini P-Cell



1b Dali



Operation & Maintenance

Failed light source should be replaced promptly or the circuit switched off to avoid possible damage to control gear.

Important - Safety

Before carrying out any servicing on these luminaires, ensure that the mains supply is fully isolated.

Disconnect the luminaire before insulation testing of the installation.

Circuit Breaker Type	B10	B16	B25
B30 Standard Luminaire	14	28	40
B45 Standard Luminaire	10	21	30
B60 Standard Luminaire	7	14	20



The light source contained in this luminaire shall only be replaced by the manufacturer or his service agent or a similar qualified person.



FM57330

Exterior Lights UK Ltd