

The luminaire should be positioned so that prolonged staring into the luminaire at a distance closer than 0.58m is not expected

Power (W)	Standard	DALI	Standard & P-Cell	AstroDim	Windage - Surface (m ²)
60	5	5	5	5	0.18m ²
45	5	5	5	5	0.18m ²
30	5	5	5	5	0.18m ²

1

Loosen x4

2

3

x4

4

All Standard / AstroDim Range: ⚡ 3 x 1.5mm² (max)

Dali Range : ⚡ 5 x 1.5mm² (max)

5

Warning!
Do not remove the cover at this location shown

6

Correct location for removal of cover

Loosen x2

7

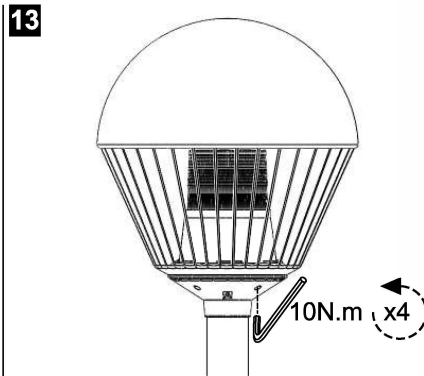
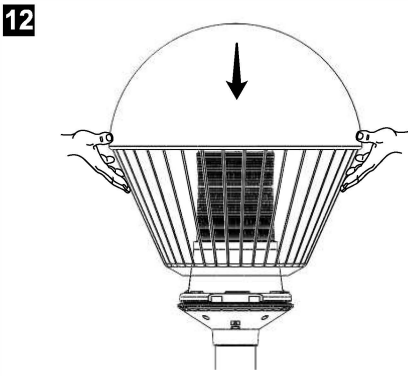
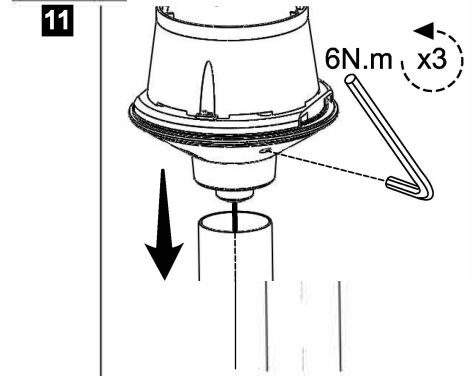
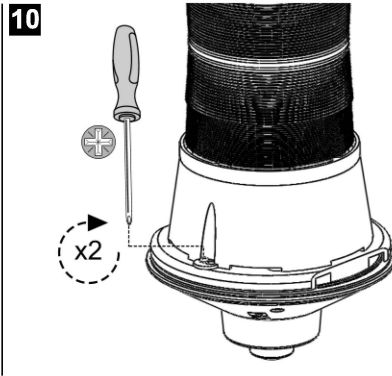
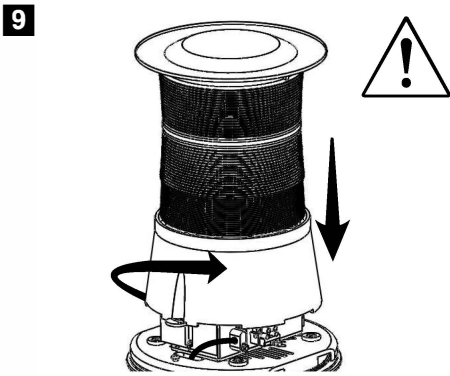
8a Standard / Standard & P-Cell / AstroDim

2A

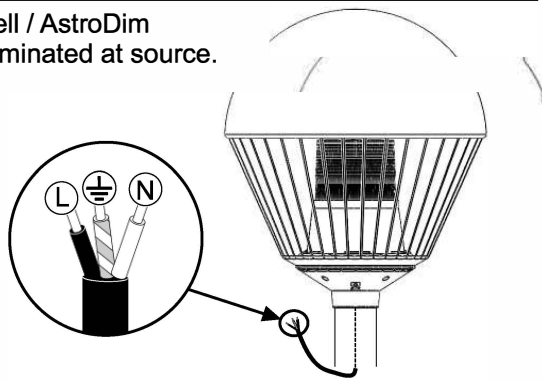
8b Dali

2A

DA DA



1 Standard / Standard & P-Cell / AstroDim
Pre installed cable to be terminated at source.



- Ensure no cables / wires are trapped during luminaire assembly.
- Care must be taken when removing / fitting luminaire refractor to prevent LED damage.



Operation & Maintenance

Failed light source should be replaced promptly or the circuit switched off to avoid possible damage to control gear.

Important - Safety

Before carrying out any servicing on these luminaires, ensure that the mains supply is fully isolated.

Disconnect the luminaire before insulation testing of the installation.

Circuit Breaker Type	10A	B	16A (B)	25A (B)
Standard Luminaire	7		12	20



ta -20°C ... 40°C



The light source contained in this luminaire shall only be replaced by the manufacturer or his service agent or a similar qualified person.



Example: IP junction box / terminal block. If in doubt seek advice from qualified electrician.

i1 Preparation of the ends of conductors: Wire ends striped to the length 7mm - 8mm. Add ferrules (for 1.5mm² mini wires) to the wires if they are stranded.

i2 Terminal block specified:

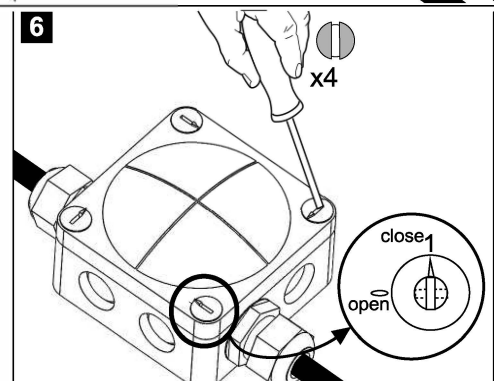
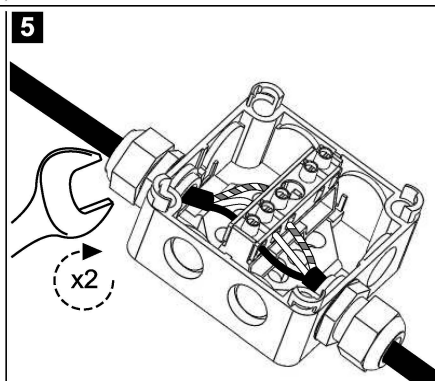
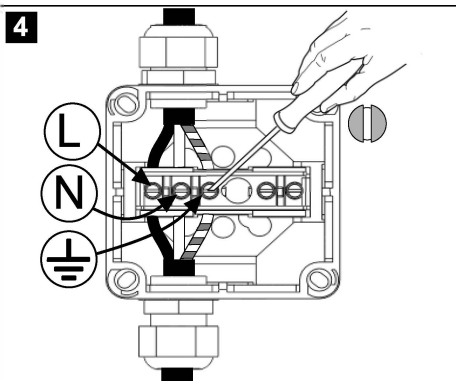
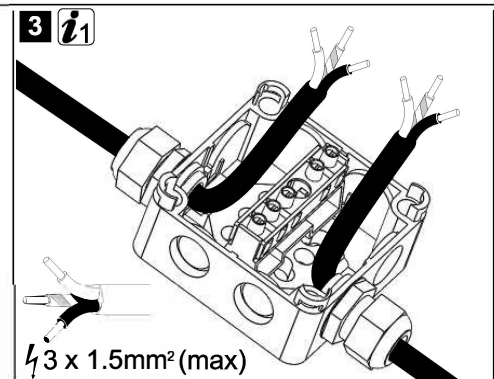
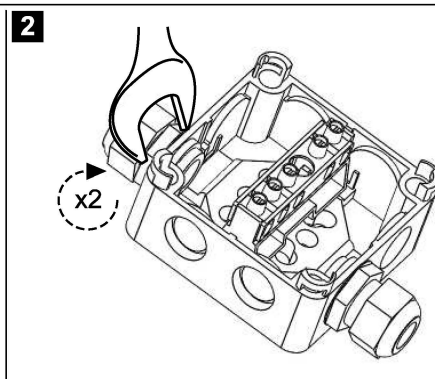
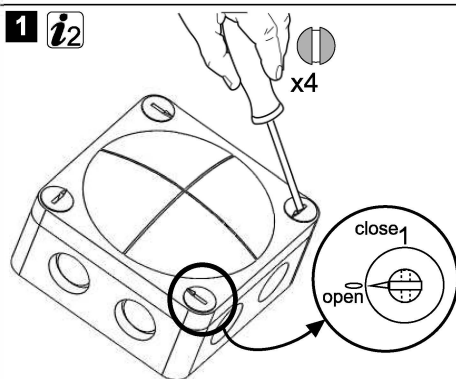
- Terminal block specified:
- The type of terminals: Screw.
- Number of terminals: 3
- Rated voltage: 450V
- Rated connecting capacity: 16A to EN60598 and 24A to EN60998



Example:

Box: WISKA COMBI 308/5/S

Cable Gland x2: WISKA ESKVM20



Example: Terminal block fused cut out. If in doubt seek advice from qualified electrician.

i1 Preparation of the ends of conductors: Wire ends striped to the length 7mm - 8mm. Add ferrules (for 1.5mm²) to the wires if they are stranded.

i3 Terminal block specified:

- Designed and tested in accordance with BS 7654:1997 and IEC/EN 60947-Part 1
- Detachable terminal block in extension trough facilitates termination of heavy duty cables
- Electroplated brass terminal blocks accept conductors up to 25mm²
- Number of terminals: 3
- The type of terminals: Screw
- Rated voltage: 230V
- Rated connecting capacity: 25A

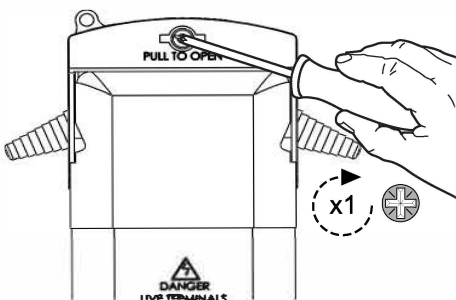


Example:

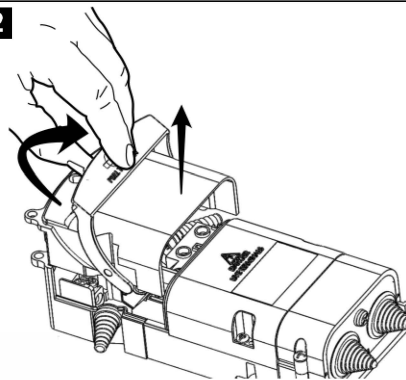
Lucy zodion - Titan2

Single and double pole cut outs.

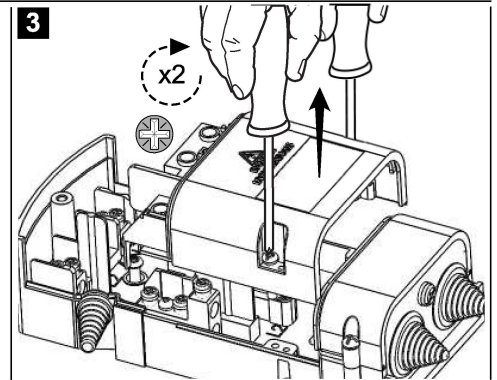
1 **i3**



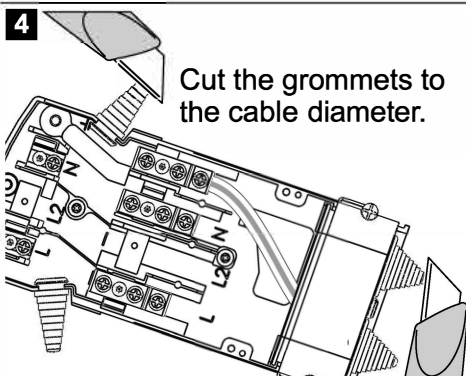
2



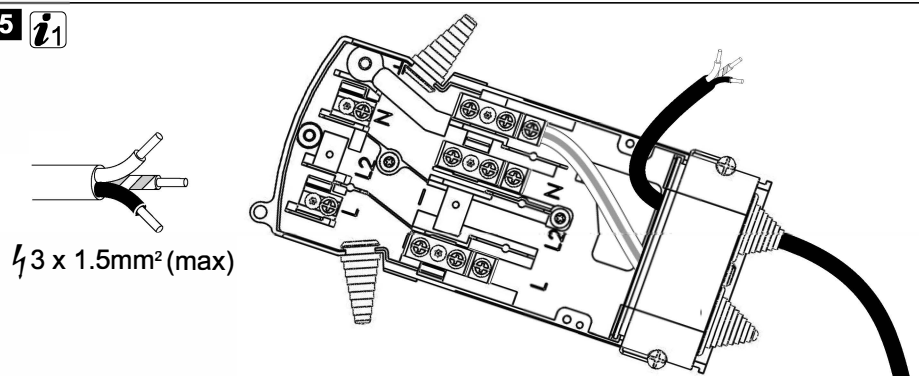
3



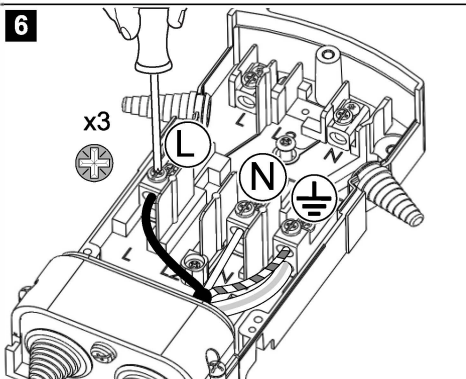
4



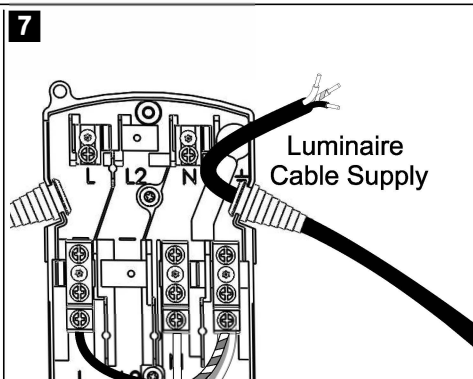
5 **i1**



6



7



8

