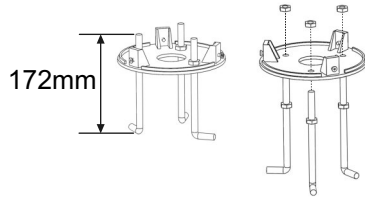
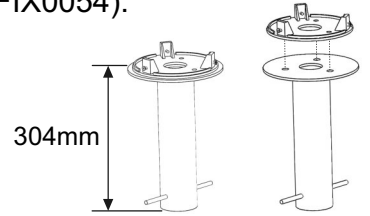


Optional mounting

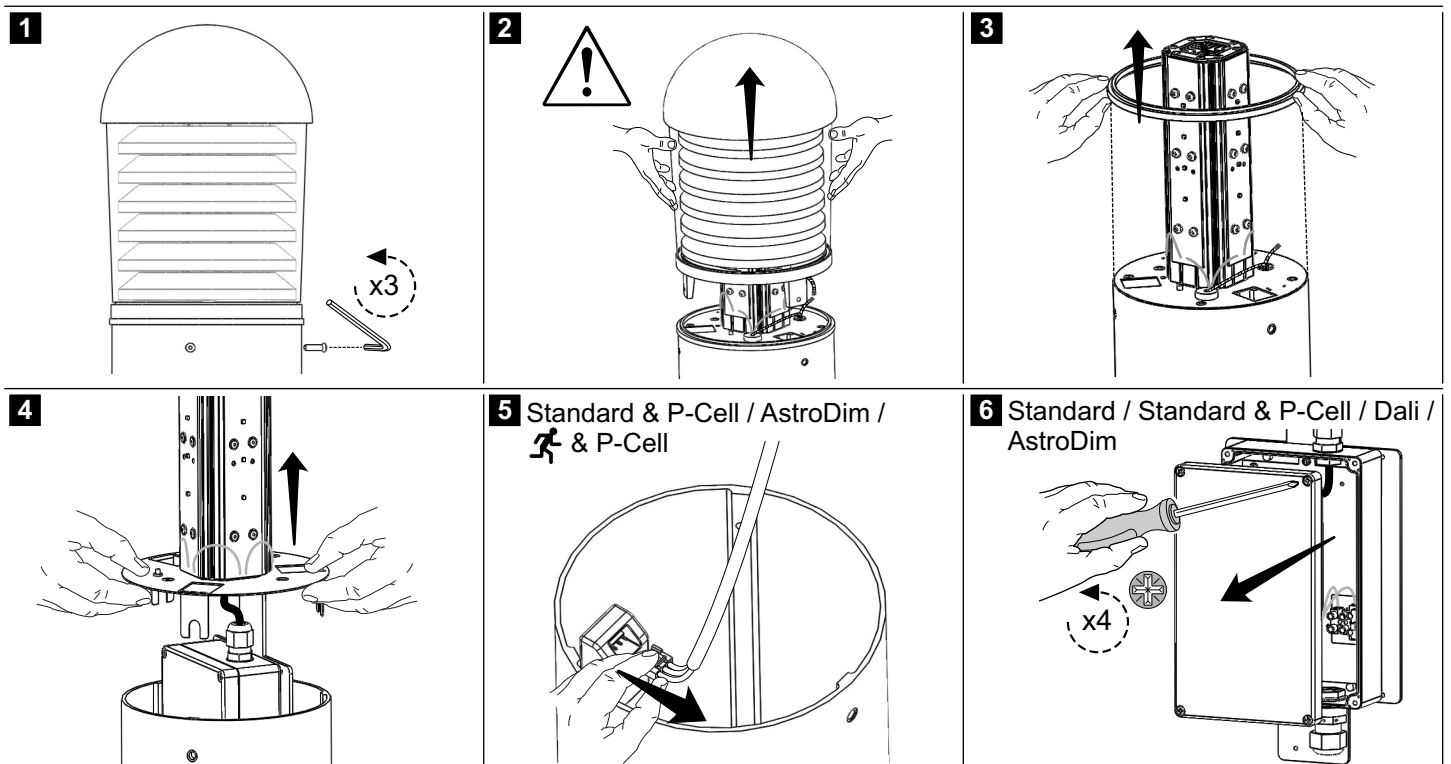
Flange Plate & Bolts (FIX0053):



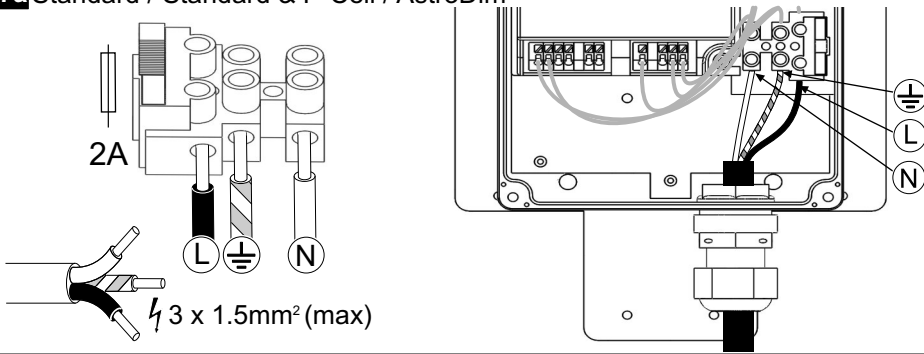
Flange Plate & Root Mount (FIX0054):



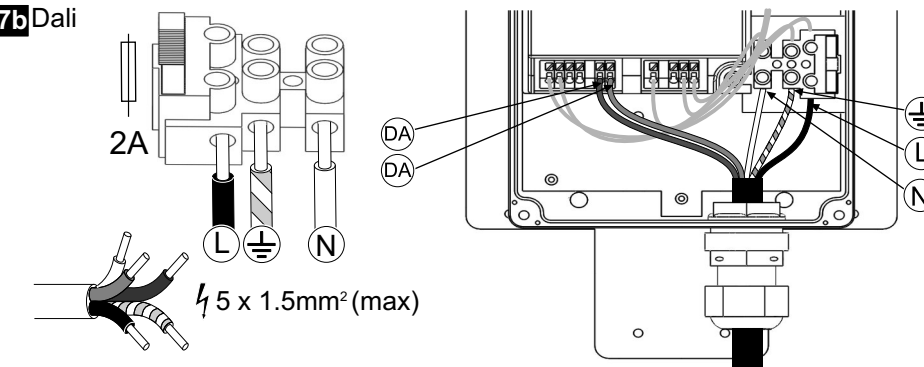
Product Range	Power (W)	Standard 	Standard & P-Cell 	Dali 	AstroDim 	Emergency 	Emergency & P-Cell 	Dali Emergency
Orpington (AB) 	30	8.5	8.5	8.5	8.5	9.5	9.5	9.5
	40							
Chilham (HB) 	30	6.25	6.25	6.25	6.25	7.25	7.25	7.25
	40							
Small Chilham (HBS) 	30	5.25	5.25	5.25	5.25	-	-	-
	40							
Penshurst (NB) 	30	7	7	7	7	8	8	8
	40							
Small Penshurst (NBS) 	30	6	6	6	6	-	-	-
	40							



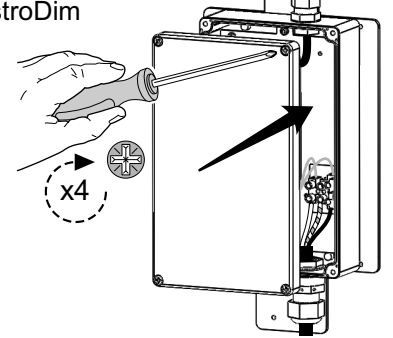
7a Standard / Standard & P-Cell / AstroDim



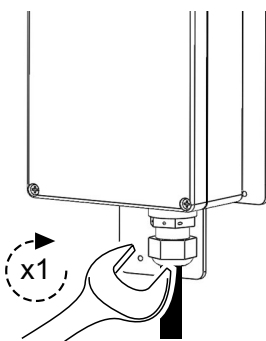
7b Dali



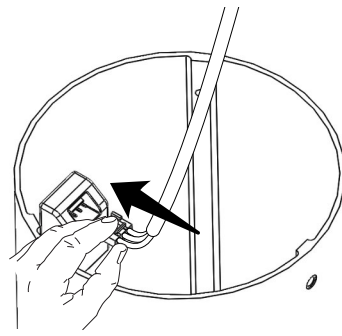
8 Standard / Standard & P-Cell / Dali / AstroDim



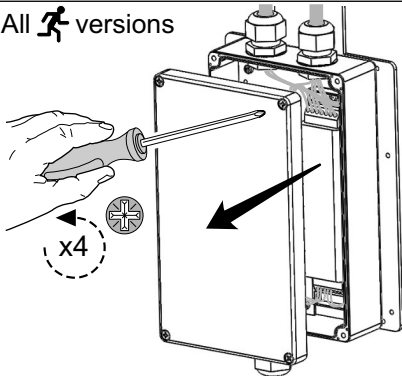
9 Standard / Standard & P-Cell / Dali / AstroDim



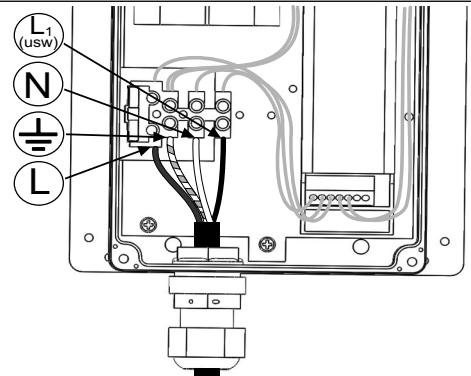
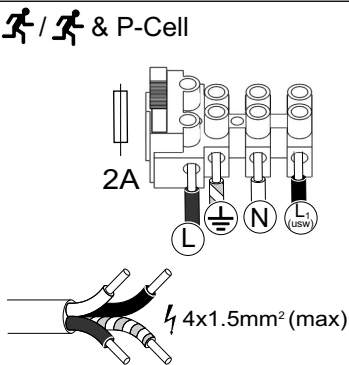
10 Standard & P-Cell / AstroDim



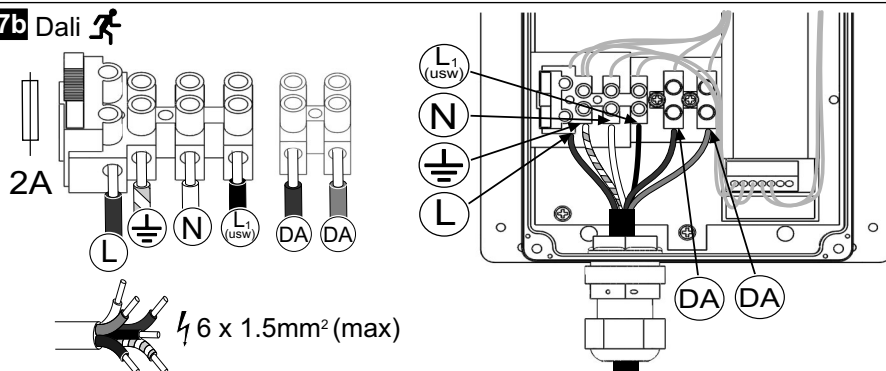
6 All versions



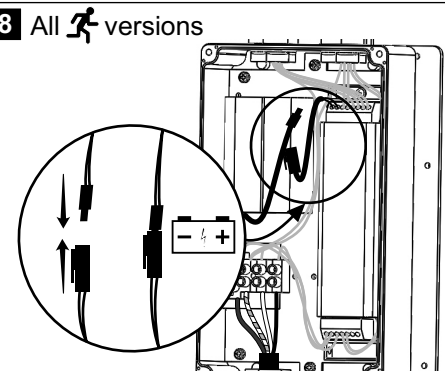
7a & & P-Cell



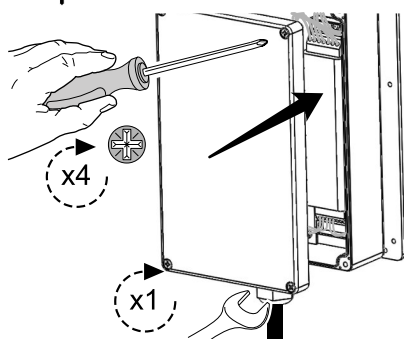
7b Dali &




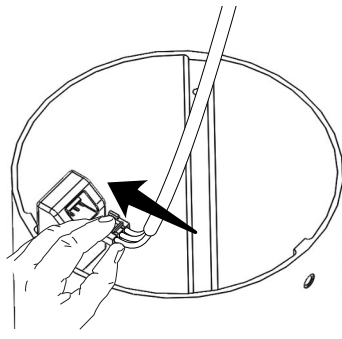
8 All versions



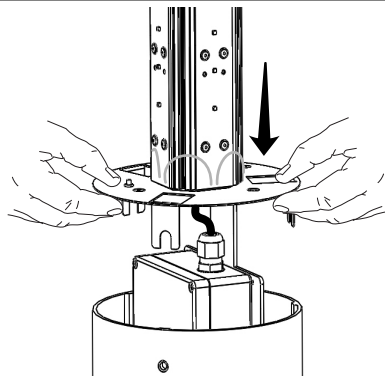
9 All  versions



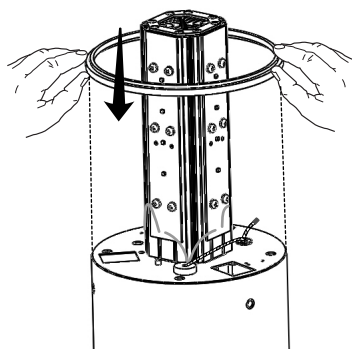
10  & P-Cell



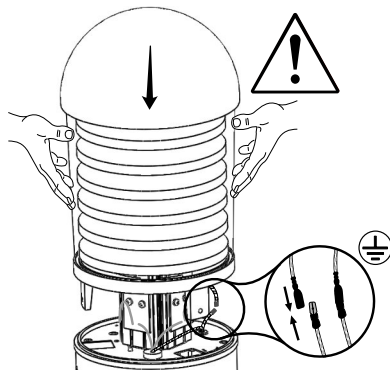
11



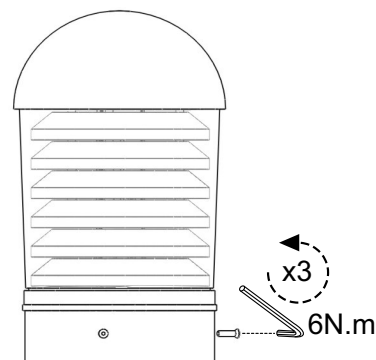
12



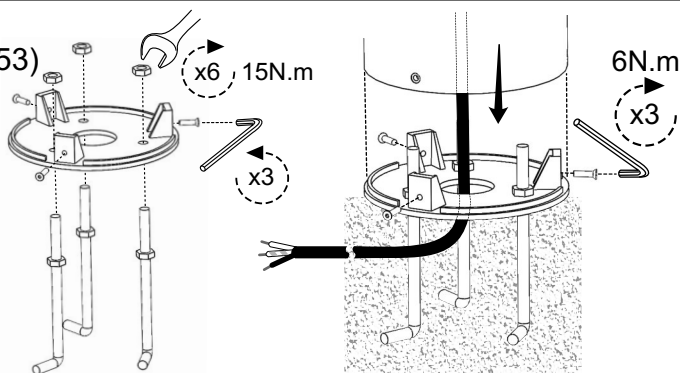
13



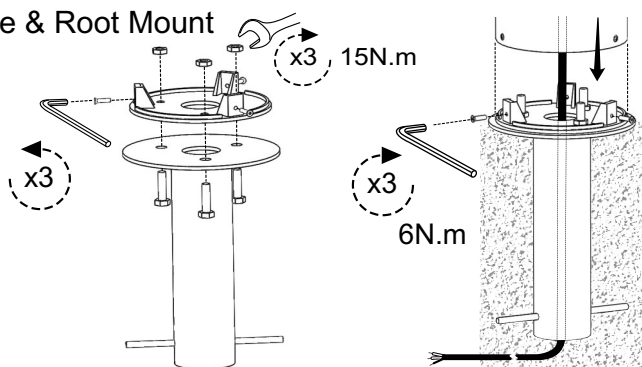
14



15a Flange Plate & Bolts (FIX0053)



15b Flange Plate & Root Mount (FIX0054)



- Ensure no cables / wires are trapped during bollard assembly.
- Care must be taken when removing / fitting bollard head to prevent LED damage.
- Any alterations to the luminaire, will need to be confirmed with Gemma Lighting. If alterations have been carried out to the luminaire without confirmation the luminaire's safety & warranty will be at risk.



Operation & Maintenance

Failed light source should be replaced promptly or the circuit switched off to avoid possible damage to control gear.

Important - Safety


Before carrying out any servicing on these luminaires, ensure that the mains supply is fully isolated.


Disconnect the luminaire before insulation testing of the installation.


Circuit Breaker Type	10 A(B)	16 A(B)	25 A(B)
Luminaire	18	28	43

 Tested to BS EN 60598

 For All Standard / All Dali / All AstroDim: t_a -20°C ... 25°C

For All  : t_a 0°C ... 25°C

 Between the control conductor and low voltage supply the maintained insulation level is basic.

 The light source contained in this luminaire shall only be replaced by the manufacturer or a service agent or a similar qualified person.



Do not stare at the operating light source

