



Exterior Lights UK Ltd



The Bodium 40W is a high performance IP65 rated street light optimised for high uniformity and maximum spacing's between columns.

Manufactured from aluminium die-cast housing, stainless steel fixings and featuring a high impact glass cover for additional protection.

Options include Nema socket, LED colour temperature, housing colour and spigot size.

Bodium 40W - LED Street Light

Street Lighting



Features

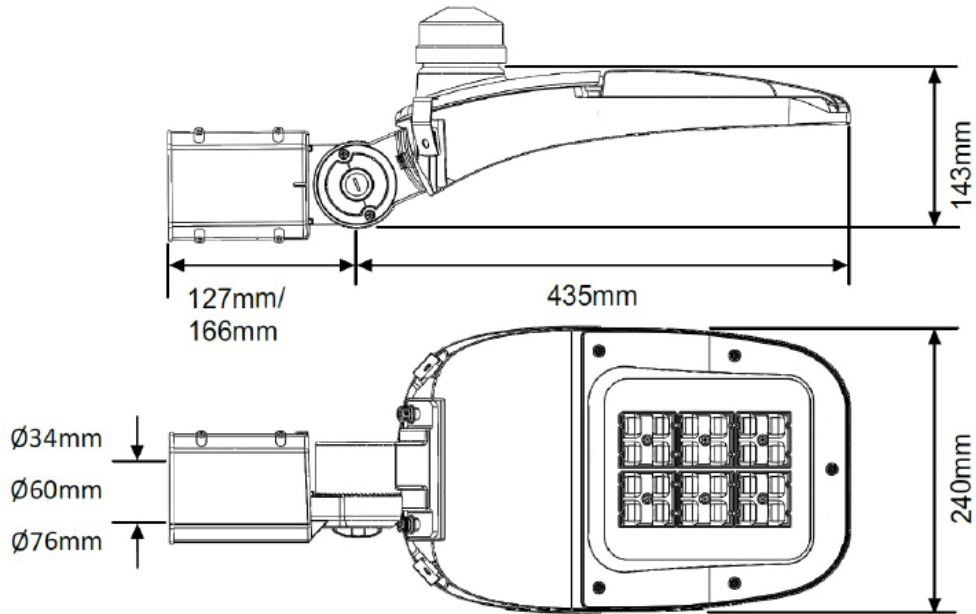
- LED rating 5,688lm (4000K & 6000K)
- LED rating 4,807lm (3000K)
- Luminaire flux 5,005lm (4000K & 6000K)
- Luminaire flux 4,230lm (3000K)
- Total wattage 40W
- -20 to +40°C operating temperature.
- LED Life span > 100,000hrs.
- Osram LED and Osram Driver.
- Post-top or side-entry, 34/60/76mm spigot options.
- Aluminium die-casting housing for maximum heat dissipation
- Optimised optics for high uniformity and maximum spacing's between columns.

Applications

- Roads
- Residential
- Railway Stations
- Shopping Precincts
- Parks & Gardens
- Security

www.exteriorlights.co.uk

01689 606 342



Specifications

Bodium 40W

Item Number	Description	Light Source	LED Rating (lm)	Total Wattage(W)	Colour Name	CCT (K)	CRI	Voltage	Drive Current	Luminaire Flux (lm)	Luminaire Efficacy (lm/W)	Kg	Unit Colour	Spigot Size (mm)	
Standard - 6K															
F40-A4C-00G-34	Bodium-40W-LED-AC-6K-Std-Grey-34mm	LED	5,688	40	CW	6K	Ra>70	220-240	495	5,005	125	6.0	Grey	34	
F40-A4C-00G-60	Bodium-40W-LED-AC-6K-Std-Grey-60mm	LED	5,688	40	CW	6K	Ra>70	220-240	495	5,005	125	6.0	Grey	60	
F40-A4C-00G-76	Bodium-40W-LED-AC-6K-Std-Grey-76mm	LED	5,688	40	CW	6K	Ra>70	220-240	495	5,005	125	6.0	Grey	76	
Standard - 4K															
F40-A4N-00G-34	Bodium-40W-LED-AC-4K-Std-Grey-34mm	LED	5,688	40	NW	4K	Ra>70	220-240	495	5,005	125	6.0	Grey	34	
F40-A4N-00G-60	Bodium-40W-LED-AC-4K-Std-Grey-60mm	LED	5,688	40	NW	4K	Ra>70	220-240	495	5,005	125	6.0	Grey	60	
F40-A4N-00G-76	Bodium-40W-LED-AC-4K-Std-Grey-76mm	LED	5,688	40	NW	4K	Ra>70	220-240	495	5,005	125	6.0	Grey	76	
Standard - 3K															
F40-A4W-00G-34	Bodium-40W-LED-AC-3K-Std-Grey-34mm	LED	4,807	40	WW	3K	Ra>80	220-240	495	4,230	106	6.0	Grey	34	
F40-A4W-00G-60	Bodium-40W-LED-AC-3K-Std-Grey-60mm	LED	4,807	40	WW	3K	Ra>80	220-240	495	4,230	106	6.0	Grey	60	
F40-A4W-00G-76	Bodium-40W-LED-AC-3K-Std-Grey-76mm	LED	4,807	40	WW	3K	Ra>80	220-240	495	4,230	106	6.0	Grey	76	
Standard - Nema Socket - 6K															
F40-A4C-05G-34	Bodium-40W-LED-AC-6K-Std-Nema Socket-Grey-34mm	LED	5,688	40	CW	6K	Ra>70	220-240	495	5,005	125	6.0	Grey	34	
F40-A4C-05G-60	Bodium-40W-LED-AC-6K-Std-Nema Socket-Grey-60mm	LED	5,688	40	CW	6K	Ra>70	220-240	495	5,005	125	6.0	Grey	60	
F40-A4C-05G-76	Bodium-40W-LED-AC-6K-Std-Nema Socket-Grey-76mm	LED	5,688	40	CW	6K	Ra>70	220-240	495	5,005	125	6.0	Grey	76	
Standard - Nema Socket - 4K															
F40-A4N-05G-34	Bodium-40W-LED-AC-4K-Std-Nema Socket-Grey-34mm	LED	5,688	40	NW	4K	Ra>70	220-240	495	5,005	125	6.0	Grey	34	
F40-A4N-05G-60	Bodium-40W-LED-AC-4K-Std-Nema Socket-Grey-60mm	LED	5,688	40	NW	4K	Ra>70	220-240	495	5,005	125	6.0	Grey	60	
F40-A4N-05G-76	Bodium-40W-LED-AC-4K-Std-Nema Socket-Grey-76mm	LED	5,688	40	NW	4K	Ra>70	220-240	495	5,005	125	6.0	Grey	76	

Specifications

Bodium 40W

Item Number	Description	Light Source	LED Rating (lm)	Total Wattage (W)	Colour Name	CCT (K)	CRI	Voltage (VAC)	Drive Current	Luminaire Flux (lm)	Luminaire Efficacy (lm/W)	KG	Unit Colour	Spigot Size (mm)	
Standard - Nema Socket - 3K															
F40-A4W-05G-34	Bodium-40W-LED-AC-3K-Std-Nema Socket-Grey-34mm	LED	4,807	40	WW	3K	Ra>80	220-240	495	4,230	106	6.0	Grey	34	
F40-A4W-05G-60	Bodium-40W-LED-AC-3K-Std-Nema Socket-Grey-60mm	LED	4,807	40	WW	3K	Ra>80	220-240	495	4,230	106	6.0	Grey	60	
F40-A4W-05G-76	Bodium-40W-LED-AC-3K-Std-Nema Socket-Grey-76mm	LED	4,807	40	WW	3K	Ra>80	220-240	495	4,230	106	6.0	Grey	76	

Legend: **Std** = Standard. **3K** = Warm White (3000K). **4K** = Neutral White (4000K). **6K** = Cool White (6000K). **WW** = Warm White. **NW** = Neutral White. **CW** = Cool White.

Options:

Grey (RAL 7037) Housing - Standard.

Black (RAL 9005) Housing - Change '00G' to '00B'