

## EP4340B - Elipta Spike 3 Spotlight



### Installation notes

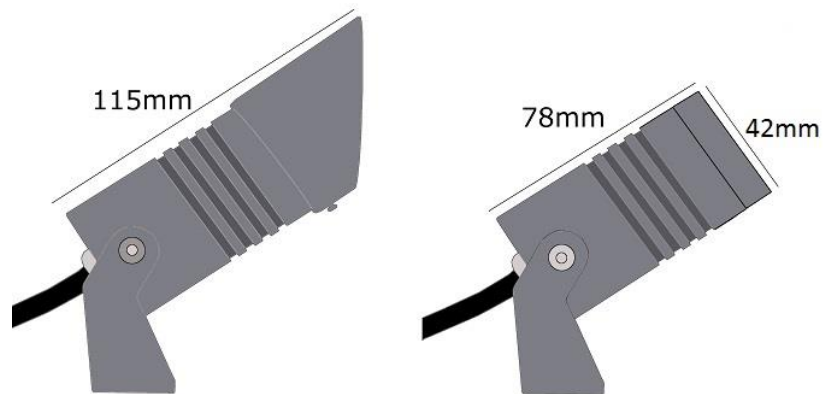
Ensure mains supply is isolated prior to installation of this product.

Refer to the instruction manual for further guidance.

**Note** – This product must be installed by a qualified electrician.

Part code	EP4340B
Diffuser	Clear
Dimensions (mm)	78x42
Cable length (mm)	1500
Construction	Aluminium
Finish	Black
Class	Class III
IP rating	IP67
Wattage	3W CREE LED
Lumen output	130lm
Beam angle	40°
CCT	2700K
Lamp included	Yes, non-replaceable
Dimmable	No
Input voltage	12V DC
Net weight (g)	387
Gross weight (g)	427
Warranty	3 Years
Manufactured in accordance with	BS EN 60598
Origin of manufacture	PRC

12v DC	IP67	Pre-wired 1.5m	<b>50,000 Hours</b>
Beam 40°		Built-in LED	



# 3 YEAR WARRANTY

**Exclusions:** Damage by machinery, animals or the use of incorrect cleaning materials.  
Corrosion due to exposure to salt or chlorine.  
Damage due to incorrect installation practices.  
Responsibility for 3rd party cost; indirect or consequential loss