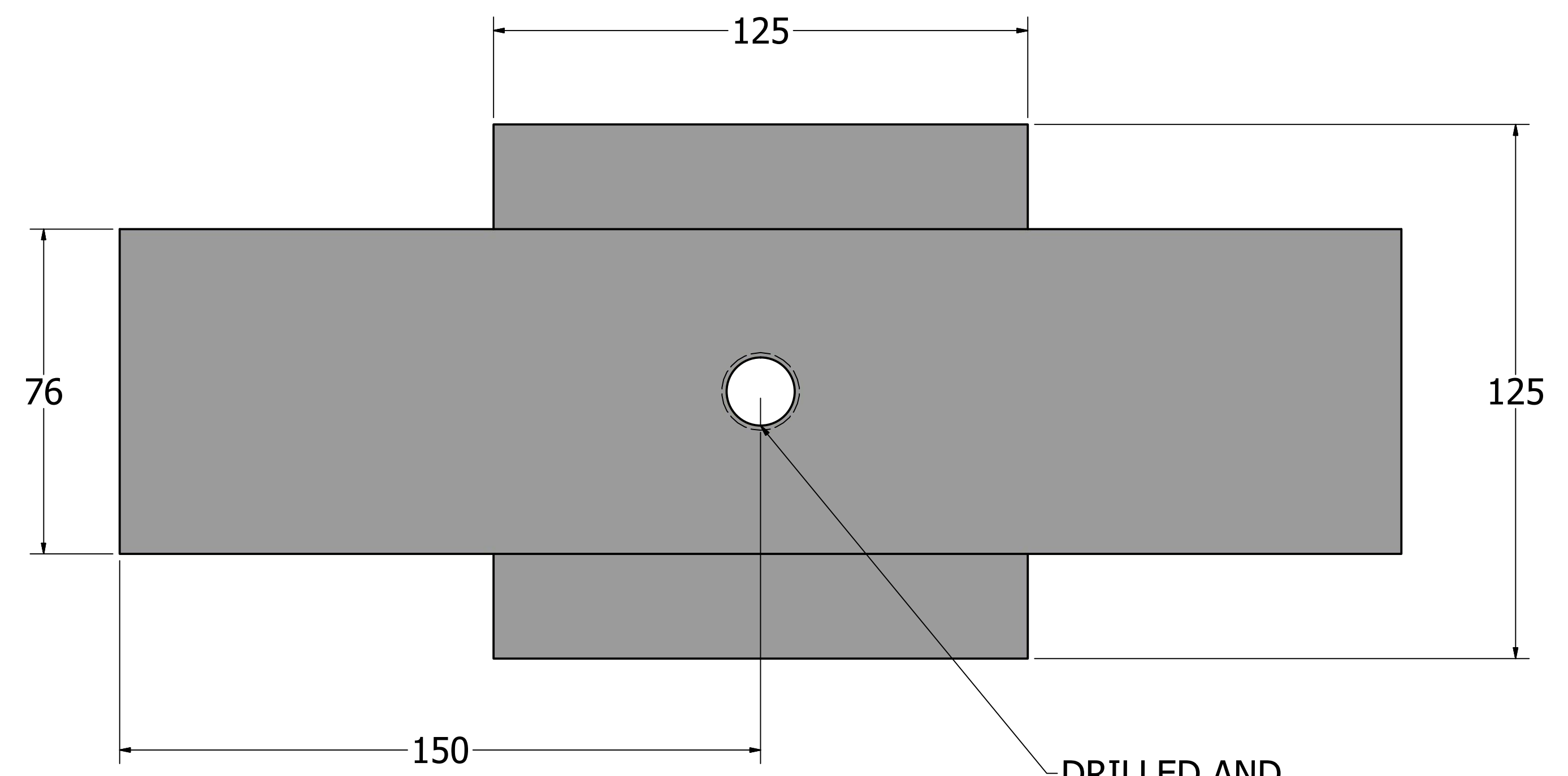
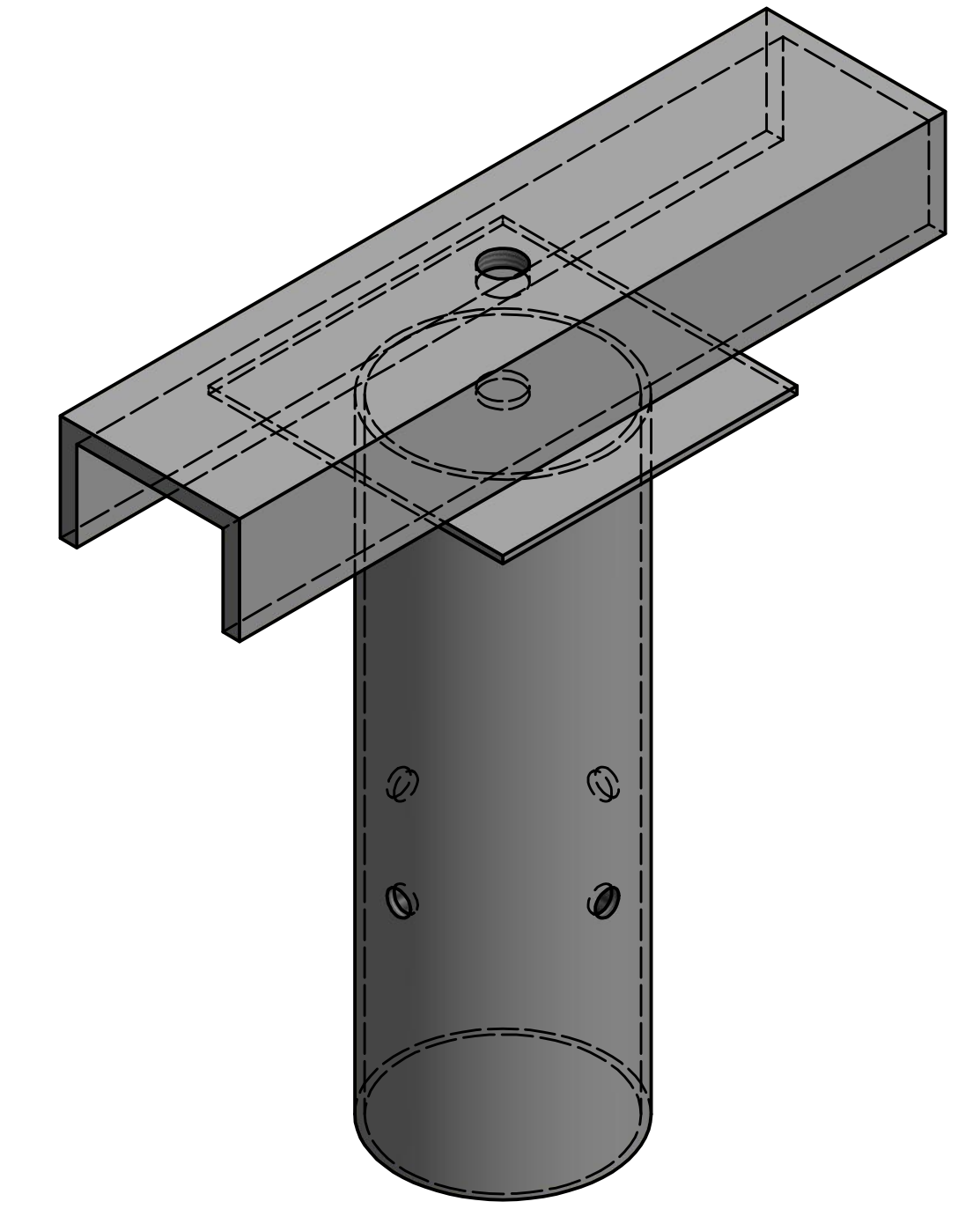


4 HOLES DRILLED AND TAPPED M10

TO SUIT 76MM POST TOP COLUMNS OR SPIGOTS



DRILLED AND TAPPED M12



GENERAL NOTES:
ALL DIMENSIONS IN MILIMETERS
ALL BURRS AND SHARP EDGES TO BE REMOVED

Exterior Lights UK Ltd
TEL: 01689 606342
EMAIL: sales@exteriorlights.co.uk
WEB: www.exteriorlights.co.uk

DRAWN Neil Carter	13/06/2016	TITLE SINGLE GALVANISED FLOODLIGHT BRACKET TO SUIT 76MM POST TOP COLUMNS OR SPIGOTS	
CHECKED		SIZE D	DWG NO X1-89
QA		SCALE 1 / 1	REV
MFG		SHEET 1 OF 1	
APPROVED			