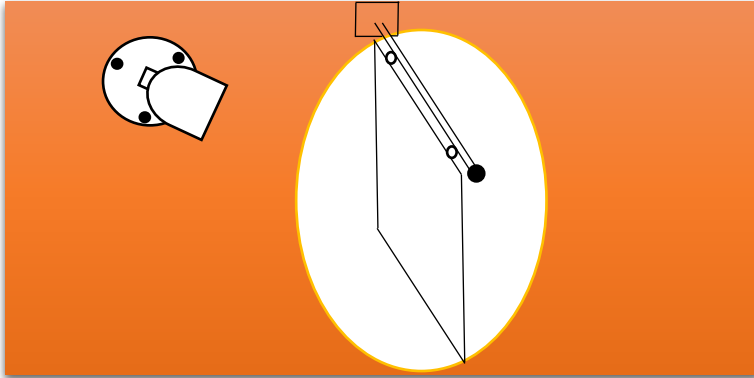


Bullet projection guide

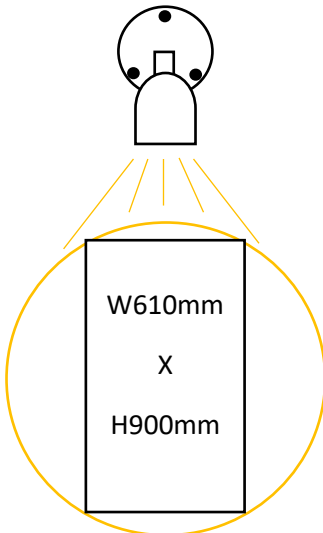
- **200mm**

A 200mm bullet is designed to be wall fixed and project out on to a pictorial (swing) sign.



- **300mm**

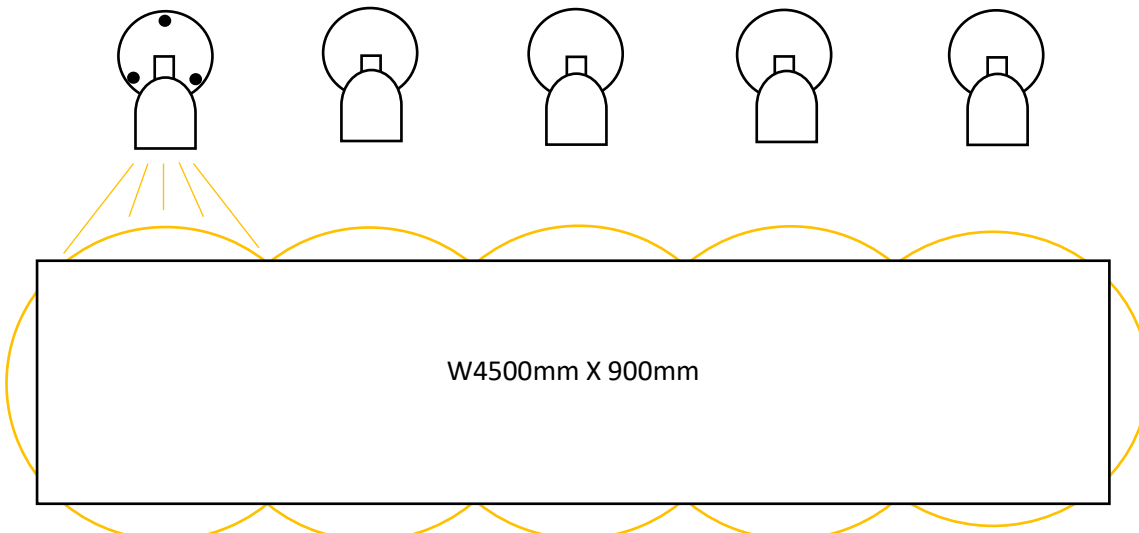
A 300mm bullet is designed to be fitted above a small (Amenity) sign with a 900mm diameter projection



- **450mm**

A 450mm bullet is designed to be fitted above a sign giving a 1200mm projection

For a larger signs multiple light can be fitted every 1000mm on a fascia up to 900mm deep



Bullet projection guide

- **950mm**

A 950mm bullet is designed to be fitted above a sign giving a 1500mm projection

For a larger signs multiple light can be fitted every 1100mm on a fascia up to 1200mm deep

